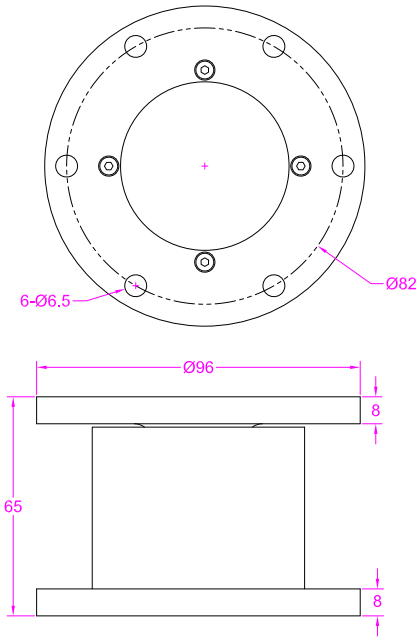
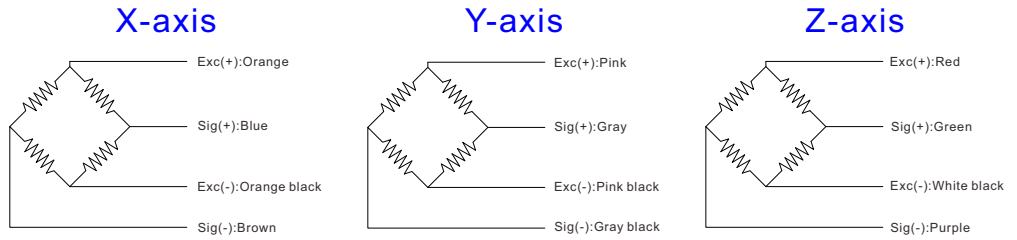


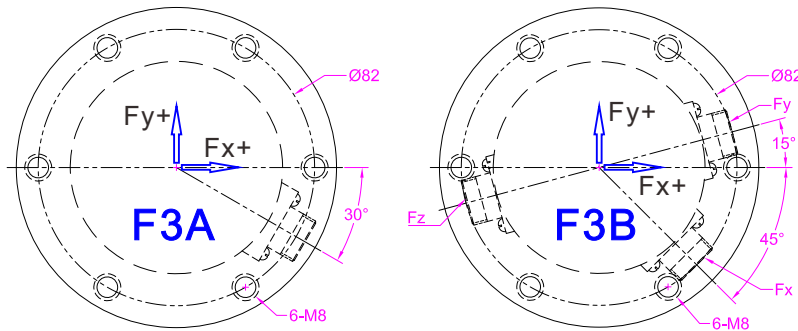
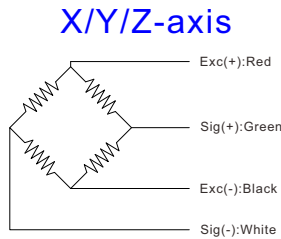
Dimensions in "mm"



Wiring Diagram of Model F3A



Wiring Diagram of Model F3B



--- Specifications / 规格参数 ---

Capacity/量程	30/50/100/200/300/500/1000 kg		
Rated Output 额定输出	1.0mV/V	Compensated Temp. 温度补偿范围	-10...+40°C
Excitation 激励电压	3~15V	Operating Temp. 工作温度范围	-20...+60°C
Zero Balance 零点输出	±0.05mV/V	Temp. Shift Zero 零点温度漂移	±0.02% of R.O./°C
Nonlinearity 非线性	±0.5% of R.O.	Temp. Shift Span 灵敏度温度漂移	±0.02% of R.O./°C
Hysteresis 滞后	±0.3% of R.O.	Input Resistance 输入阻抗	Fx/Fy: 380±30Ω Fz: 710±30 Ω
Nonrepeatability 非重复性	±0.2% of R.O.	Output Resistance 输出阻抗	Fx/Fy: 355±5Ω Fz: 710±10 Ω
Creep(10min) 蠕变(10min)	±0.1% of R.O.	Insulation Resistance 绝缘阻抗	>2000MΩ(50V)
Crosstalk 串扰	<2% of R.O.	Ingress Protection 防护等级	IP62
Safe Overload 安全过载	150% of F.S.	Material of Element 弹性体材料	≤50kg Aluminum ≥100kg Stainless steel
Cable 导线	F3A: Ø6*3000mm 12-core shielded cable with mating connector (x1) F3B: Ø5*3000mm 4-core shielded cable with mating connector (x3)		
R.O.=Rated Output/额定输出 F.S.=Full Scale/满量程			

• Subject to change without notice / 如有更改,不另行通知

Ordering code		Capacity		Material
F3A	F3B	Fx=Fy	Fz	
F3A-30kg	F3B-30kg	30kg	30kg	Aluminum alloy
F3A-30-30-50	F3B-30-30-50		50kg	
F3A-50kg	F3B-50kg	50kg	50kg	Stainless steel
F3A-50-50-100	F3B-50-50-100		100kg	
F3A-100kg	F3B-100kg	100kg	100kg	
F3A-100-100-200	F3B-100-100-200		200kg	
F3A-200kg	F3B-200kg	200kg	200kg	
F3A-200-200-300	F3B-200-200-300		300kg	
F3A-300kg	F3B-300kg	300kg	300kg	
F3A-300-300-500	F3B-300-300-500		500kg	
F3A-500kg	F3B-500kg	500kg	500kg	
F3A-500-500-1k	F3B-500-500-1k		1000kg	

P-2/2

- F3A has only one cable outlet, (1x) 3m 12-core cable with mating connector is included.
 F3B has three cable outlets, (3x) 3m 4-core cable with mating connectors are included.