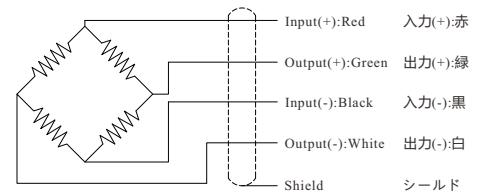


Wiring Diagram/配線図



Ordering code
FTHB-10NM
Model Capacity

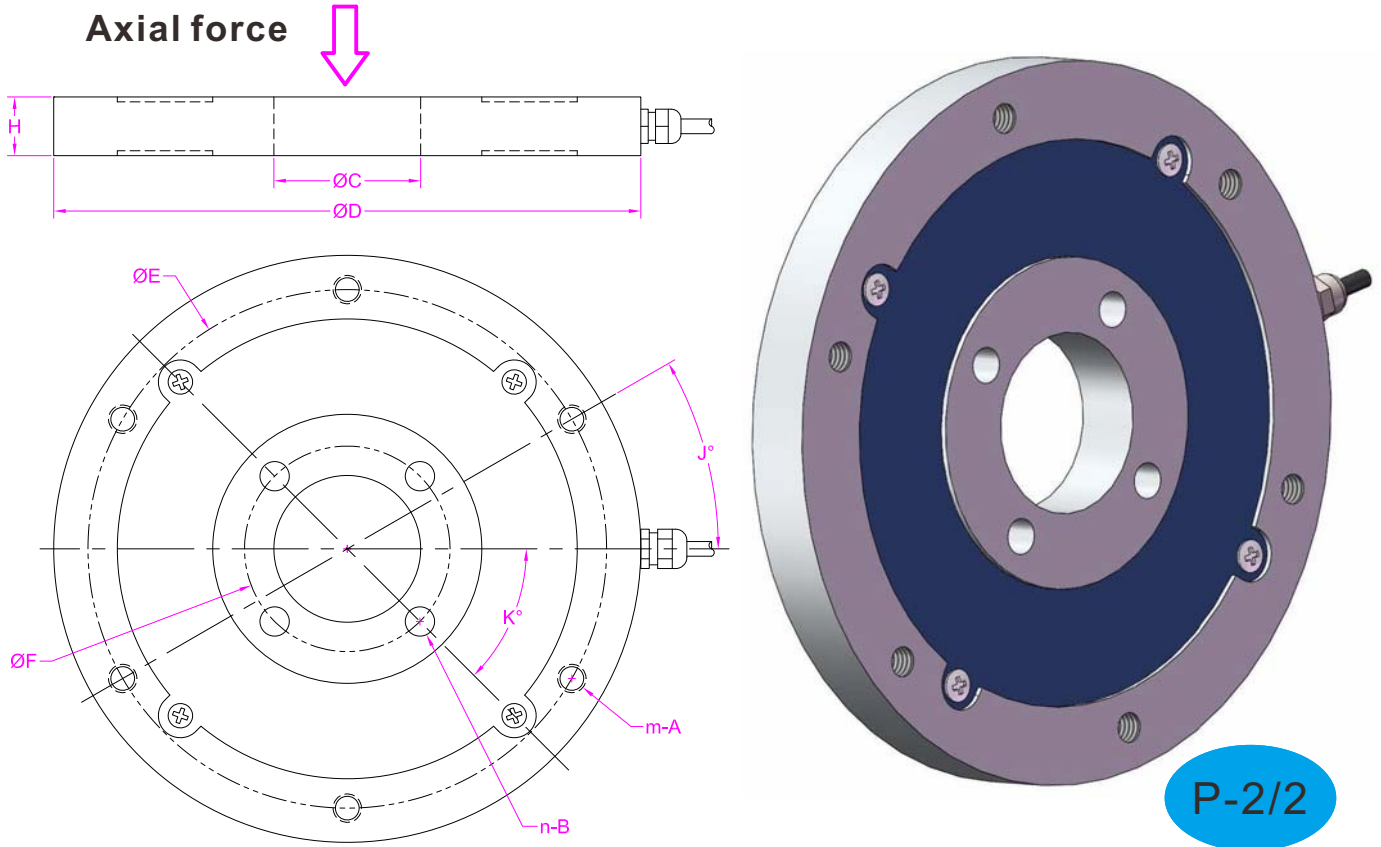
P-1/2

--- Specifications / 仕様 ---

Capacity/定格容量	5/10/15 NM (Customizable)		
Rated Output 定格出力	1.0 mV/V	Compensated Temp. 温度補償範囲	-10...+40°C
Excitation 供給電圧	3~12 V	Operating Temp. 動作温度範囲	-20...+60°C
Zero Balance 零バランス	±3% of R.O.	Temp. Shift Zero 零点の温度影響	±0.02% of R.O./°C
Nonlinearity 非直線性	±0.3% of R.O.	Temp. Shift Span 出力の温度影響	±0.01% of R.O./°C
Hysteresis ヒステリシス	±0.3% of R.O.	Input Resistance 入力抵抗	380±30Ω
Nonrepeatability 繰り返し性	±0.1% of R.O.	Output Resistance 出力抵抗	350±5Ω
Creep(10min) クリープ(10min)	±0.1% of R.O.	Insulation Resistance 絶縁抵抗	>2000MΩ(50V)
Safe Overload 許容過負荷	150% of F.S.	Ingress Protection 防塵防水	IP60
Ultimate Overload 限界過負荷	200% of F.S.	Material of Element 起歪体の材質	Stainless steel ステンレス鋼
Cable ケーブル	Ø3.2*3000mm 4-core shielded cable Ø3.2*3000mm 4芯シールドケーブル		
R.O.=Rated Output/定格出力 F.S.=Full Scale/フルスケール			

• Subject to change without notice / 予告なしに変更されることが

Customize torque sensor



--- Main parameters ---

Torque range(NM)		Axial force(N)	
Qty of samples		Potential annual Qty	
A		m	
B		n	
C		D	
E		F	
H		J	
K		/	/
Other requirements			

- Dimensions in "milimeter".
- The Axial force may influence the design.
- A and B can be thru hole or threaded hole.
- m and n refers to the number of A and B.
- Please fill in the blank columns with a specific value or acceptable range.
- Customize upon given drawings is also available.