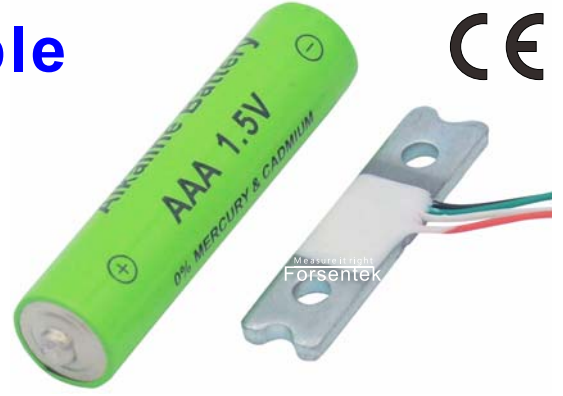
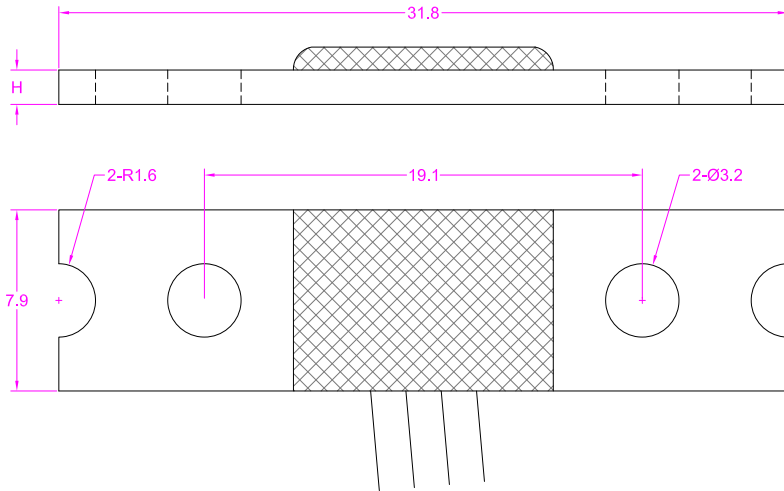


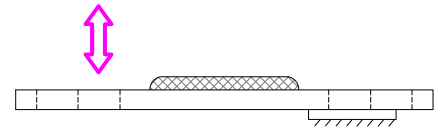
Customizable



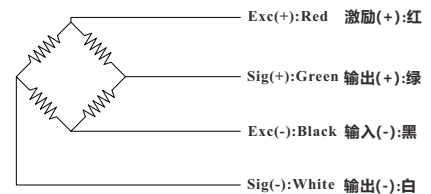
Dimensions in "mm"



Load direction/加载方向



Wiring Diagram/接线图



Part No.	FMZH-100N	FMZH-200N	FMZH-300N	FMZH-500N
Capacity(N)	100	200	300	500
H(mm)	1	1.5	2	2.5

--- Specifications / 规格参数 ---

Capacity/量程	100/200/300/500 N		
Rated Output 额定输出	1.8 mV/V	Compensated Temp. 温度补偿范围	0...+25°C
Excitation 激励电压	3~15V	Operating Temp. 工作温度范围	-10...+40°C
Zero Balance 零点输出	±0.3mV/V	Temp. Shift Zero 零点温度漂移	±0.03% of R.O./°C
Nonlinearity 非线性	±0.2% of R.O.	Temp. Shift Span 灵敏度温度漂移	±0.03% of R.O./°C
Hysteresis 滞后	±0.2% of R.O.	Input Resistance 输入阻抗	1020±50Ω
Nonrepeatability 非重复性	±0.1% of R.O.	Output Resistance 输出阻抗	1000±20Ω
Creep(3min) 蠕变(3min)	±0.1% of R.O.	Insulation Resistance 绝缘阻抗	>2000MΩ(50V)
Safe Overload 安全过载	120% of F.S.	Ingress Protection 防护等级	IP50
Ultimate Overload 极限过载	150% of F.S.	Material of Element 弹性体材料	Alloy steel 合金钢
Cable 导线	AWG32*110mm(Longer cable available)		
R.O.=Rated Output/额定输出 F.S.=Full Scale/满量程			

• Subject to change without notice / 如有更改,不另行通知