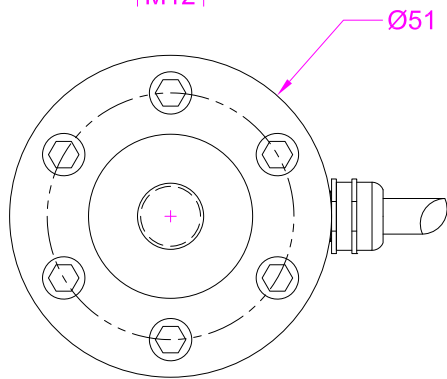
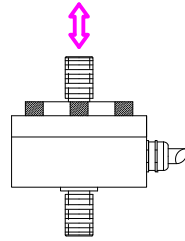
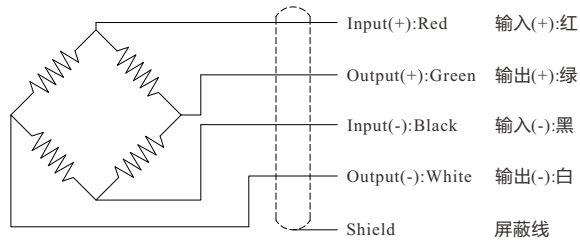


Load direction
加载方向



Wiring Diagram/接线图



--- Specifications / 规格参数 ---

| Capacity/量程 | 100/200/500/1000/2000kg | | |
|--|--|-------------------------------|------------------------|
| Rated Output 额定输出 | 1.3~1.8mV/V | Compensated Temp. 温度补偿范围 | -10...+60°C |
| Excitation 激励电压 | 5~15V | Operating Temp. 工作温度范围 | -20...+80°C |
| Zero Balance 零点输出 | ±2% of R.O. | Temp. Shift Zero 零点温度漂移 | ±0.05% of R.O./10°C |
| Nonlinearity 非线性 | ±0.3% of R.O. | Temp. Shift Span 灵敏度温度漂移 | ±0.05% of R.O./10°C |
| Hysteresis 滞后 | ±0.3% of R.O. | Input Resistance 输入阻抗 | 385±30Ω |
| Nonrepeatability 非重复性 | ±0.1% of R.O. | Output Resistance 输出阻抗 | 350±5Ω |
| Creep(30min) 蠕变 | ±0.1% of R.O. | Insulation Resistance 绝缘阻抗 | >5000MΩ(50V) |
| Safe Overload 安全过载 | 150% of F.S. | Ingress Protection 防护等级 | IP66 |
| Ultimate Overload 极限过载 | 200% of F.S. | Material of Element 弹性体材料 | Stainless steel 不锈钢 |
| Cable 导线 | Ø4*1000mm 4-core shielded cable Ø4*1000mm 4芯屏蔽线 | | |
| R.O.=Rated Output/额定输出 F.S.=Full Scale/满量程 | | | |

• Subject to change without notice / 如有更改,不另行通知