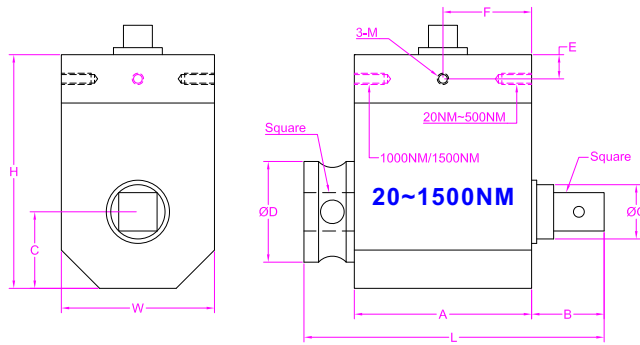


Ordering code
FYRD - 5NM
Model Capacity



Unit in "mm" unless otherwise specified

Capacity(NM)	Square	L	W	H	A	B	C	D	E	F	M	Max. rotating speed	Long term rotating speed	Rated output
20/30/50	3/8"	74.5	38	58	44	18	19	25	6	22	M3 Dep 6	3000RPM	0~1800RPM	1.0~1.4mV/V
100	1/2"	79	38	58	44	22.5	19	25	6	22	M3 Dep 6	3000RPM	0~1800RPM	1.5~1.9mV/V
200/300/500	3/4"	97	58	76	50	30	29	40	5	25	M4 Dep 6	2500RPM	0~1500RPM	
1000/1500	1"	112	73	90	57	34.5	36.5	50	5	28.5	M4 Dep 8	1000RPM	0~200RPM	

--- Specifications / 规格参数 ---

Capacity/量程	5/10/15/20/30/50/100/200/300/500/1000/1500NM		
Rated Output 额定输出	1.5 mV/V	Compensated Temp. 温度补偿范围	-10...+40°C
Excitation 激励电压	3~15V	Operating Temp. 工作温度范围	-20...+60°C
Zero Balance 零点输出	±0.05mV/V	Temp. Shift Zero 零点温度漂移	±0.02% of R.O./°C
Nonlinearity 非线性	±0.25% of R.O.	Temp. Shift Span 灵敏度温度漂移	±0.02% of R.O./°C
Hysteresis 滞后	±0.25% of R.O.	Input Resistance 输入阻抗	≤200NM 380±30Ω >200NM 750±50Ω
Nonrepeatability 非重复性	±0.1% of R.O.	Output Resistance 输出阻抗	≤200NM 350±5Ω >200NM 700±10Ω
Creep(10min) 蠕变	±0.1% of R.O.	Insulation Resistance 绝缘阻抗	>2000MΩ(50V)
Safe Overload 安全过载	150% of F.S.	Ingress Protection 防护等级	IP40
Ultimate Overload 极限过载	200% of F.S.	Material of Element 弹性体材料	Stainless steel 不锈钢
Cable 导线	Ø5*3000mm 4-core shielded cable with mating connector Ø5*3000mm 4芯屏蔽线		
R.O.=Rated Output/额定输出 F.S.=Full Scale/满量程			

• Subject to change without notice / 如有更改,不另行通知