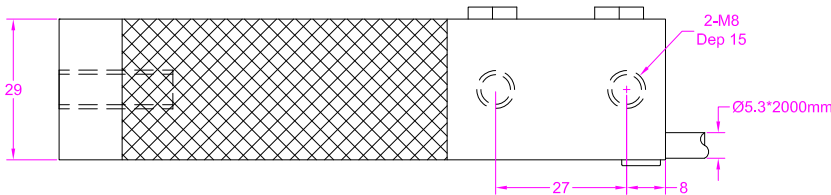
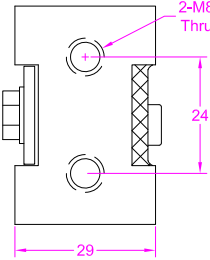
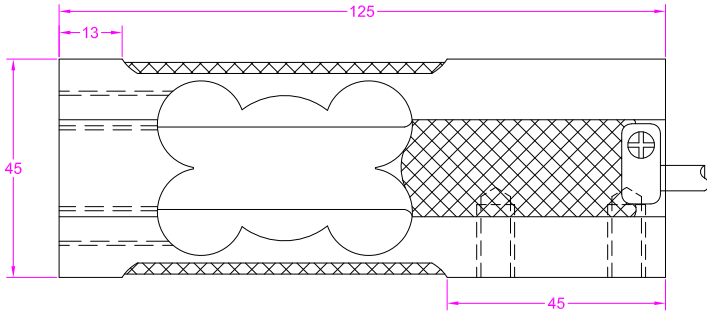
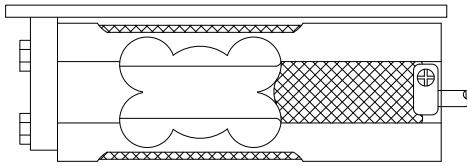


Load direction/加载方向
(Platform sizes up to 450x450mm)



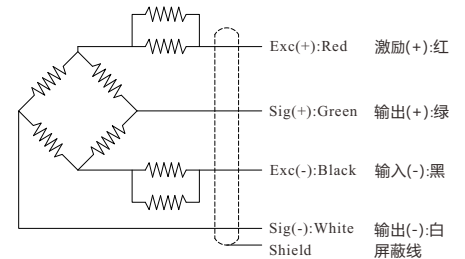
Ordering code

FHQ - 20kg

Model

Capacity

Wiring Diagram/接线图



--- Specifications / 规格参数 ---

Capacity/量程	3/5/8/10/20/30/50 kg		
Rated Output 额定输出	1.9±0.2 mV/V	Compensated Temp. 温度补偿范围	-10...+40°C
Excitation 激励电压	3~15V	Operating Temp. 工作温度范围	-20...+65°C
Zero Balance 零点输出	±2% of R.O.	Temp. Shift Zero 零点温度漂移	±0.02% of R.O./10°C
Nonlinearity 非线性	±0.02% of R.O.	Temp. Shift Span 灵敏度温度漂移	±0.02% of R.O./10°C
Hysteresis 滞后	±0.02% of R.O.	Input Resistance 输入阻抗	410±10Ω
Nonrepeatability 非重复性	±0.015% of R.O.	Output Resistance 输出阻抗	352±3Ω
Creep(30min) 蠕变(30min)	±0.02% of R.O.	Insulation Resistance 绝缘阻抗	>5000MΩ(50V)
Safe Overload 安全过载	120% of F.S.	Ingress Protection 防护等级	IP65
Ultimate Overload 极限过载	150% of F.S.	Material of Element 弹性体材料	Aluminum alloy 铝合金
Cable 导线	Ø5.3*2000mm 4-core shielded cable Ø5.3*2000mm 4芯屏蔽线		
R.O.=Rated Output/额定输出 F.S.=Full Scale/满量程			

• Subject to change without notice / 如有更改,不另行通知