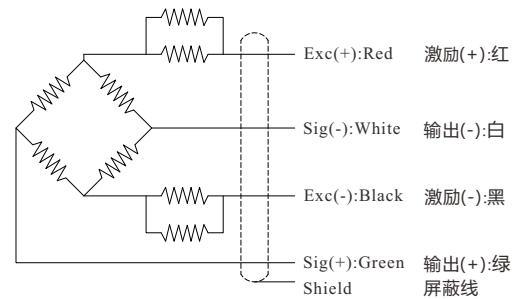


Ordering code
FHSF - 5klb
Model Capacity

Wiring Diagram/接线图



Capacity	L	W	H	L1	L2	L3	h	d	D	M
2.5/3/5klb	130	31.3	31.3	15.7	25.4	76.2	15.6	13.4	13.45	1/2-20UNF
5.0/7.5/10/15klb	171	36.8	36.8	19	38.1	95.2	17.7	20.6	20.6	3/4-16UNF
20klb	222.2	49.5	49.5	25.4	50.8	120.7	24.7	27.5	26.9	1-12UNF

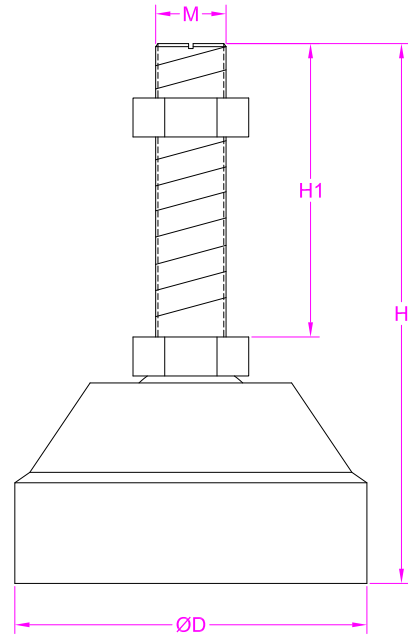
--- Specifications / 规格参数 ---

P-1/2

Capacity/量程	250/500/1k/1.5k/2k/2.5k/3k/5k/5.0k/7.5k/10k/15k/20k lb		
Rated Output 额定输出	3.0±0.01 mV/V	Compensated Temp. 温度补偿范围	-10...+40°C
Excitation 激励电压	3~15V	Operating Temp. 工作温度范围	-35...+70°C
Zero Balance 零点输出	±0.05mV/V	Temp. Shift Zero 零点温度漂移	±0.02% of R.O./10°C
Nonlinearity 非线性	±0.02% of R.O.	Temp. Shift Span 灵敏度温度漂移	±0.02% of R.O./10°C
Hysteresis 滞后	±0.02% of R.O.	Input Resistance 输入阻抗	352±5Ω
Nonrepeatability 非重复性	±0.02% of R.O.	Output Resistance 输出阻抗	352±5Ω
Creep(30min) 蠕变	±0.02% of R.O.	Insulation Resistance 绝缘阻抗	>5000MΩ(50V)
Safe Overload 安全过载	150% of F.S.	Ingress Protection 防护等级	IP67
Ultimate Overload 极限过载	250% of F.S.	Material of Element 弹性体材料	Stainless steel 不锈钢
Cable 导线	Ø5*6000mm 4-core shielded cable Ø5*6000mm 4芯屏蔽线		
R.O.=Rated Output/额定输出 F.S.=Full Scale/满量程			

• Subject to change without notice / 如有更改,不另行通知

Leveling foot



Ordering code	D	H	H1	M
SF-A	60	92	50	1/2-20UNF
SF-B	80	105	50	3/4-16UNF
Material: Stainless steel and rubber				