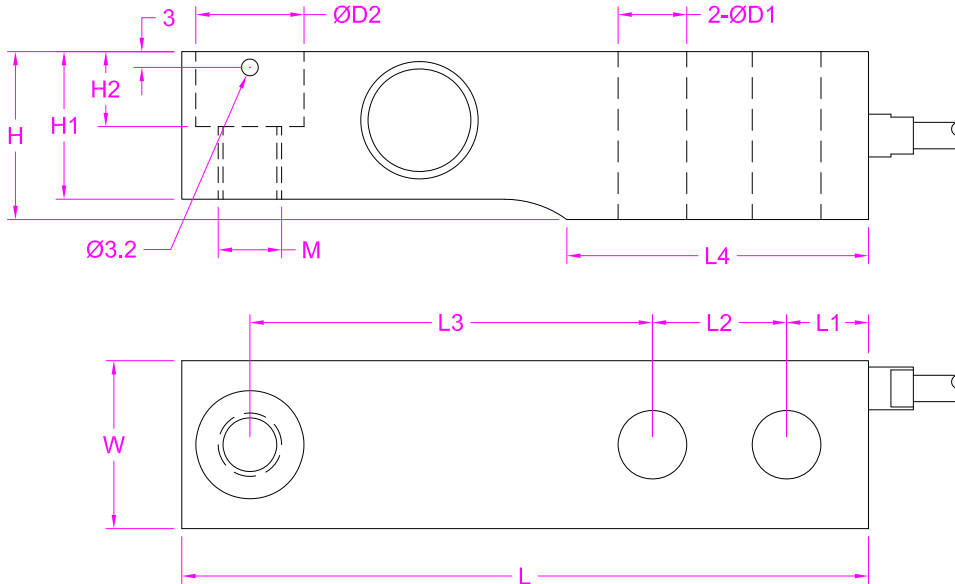


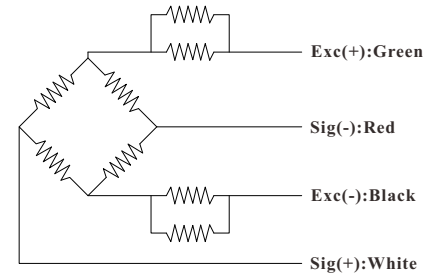


Capacity	L	W	H	L1	L2	L3	L4	H1	H2	D1	D2	M
250kg	130	31.8	31.8	15.5	25.4	76.2	57	25.5	14.2	13	20.5	M12*1.75
500kg								26				
1t								28				
1.5t/2t								32				
2.5t/3t	172	38	44	19.1	38.1	95.3	76.2	36	20	20.5	30.2	M20*2.5
5t								40				



Ordering code
FHSB - 2t - 4W
 Model Capacity 4W: 4 wire
 6W: 6 wire

4-wire Connection Diagram

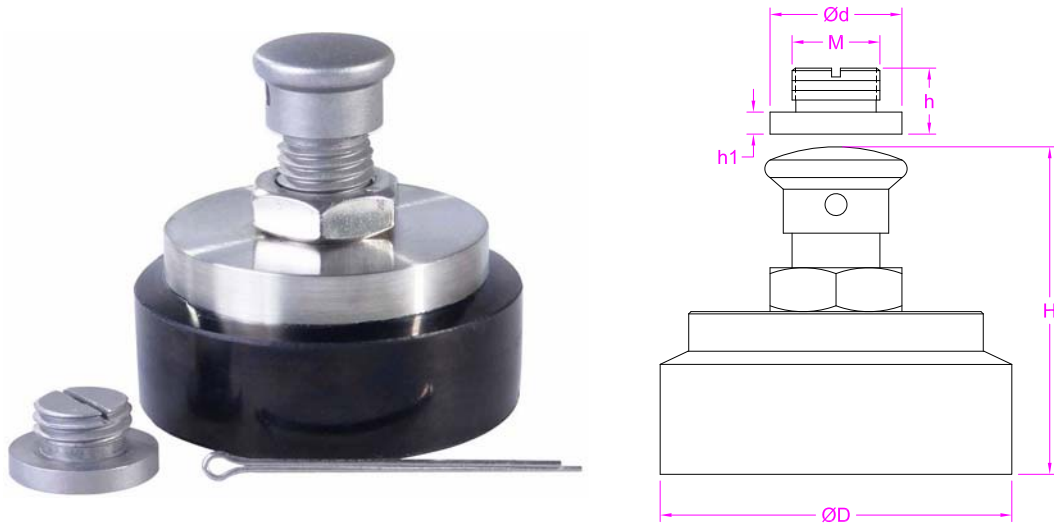


--- Specifications / 规格参数 ---

Rated Output 额定输出	2.0±0.005 mV/V	Compensated Temp. 温度补偿范围	-10...+40°C
Excitation 激励电压	3~15V	Operating Temp. 工作温度范围	-35...+70°C
Zero Balance 零点输出	±0.03mV/V	Temp. Shift Zero 零点温度漂移	±0.016% of R.O./10°C
Nonlinearity 非线性	±0.018% of R.O.	Temp. Shift Span 灵敏度温度漂移	±0.012% of R.O./10°C
Hysteresis 滞后	±0.018% of R.O.	Input Resistance 输入阻抗	1000±10Ω
Nonrepeatability 非重复性	±0.018% of R.O.	Output Resistance 输出阻抗	1000±10Ω
Creep(30min) 蠕变	±0.018% of R.O.	Insulation Resistance 绝缘阻抗	>5000MΩ(50V)
Safe Overload 安全过载	150% of F.S.	Ingress Protection 防护等级	IP68
Ultimate Overload 极限过载	250% of F.S.	Material of Element 弹性体材料	Stainless steel 不锈钢
Cable 导线	250kg~2t: Ø5*3000mm 4-core or 6-core shielded cable 2.5~5t: Ø5*6000mm 4-core or 6-core shielded cable		
R.O.=Rated Output/额定输出 F.S.=Full Scale/满量程			

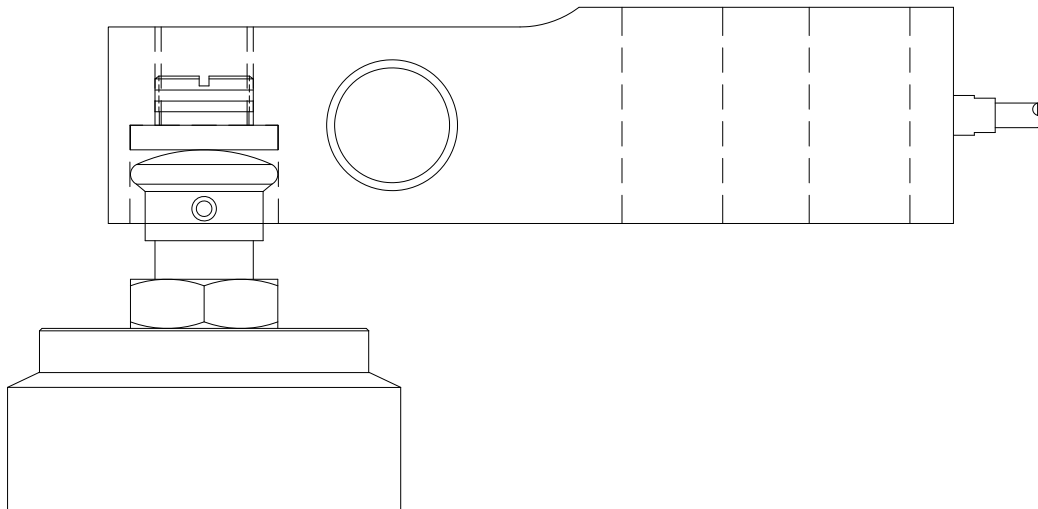
• Subject to change without notice / 如有更改,不另行通知

Load cell foot

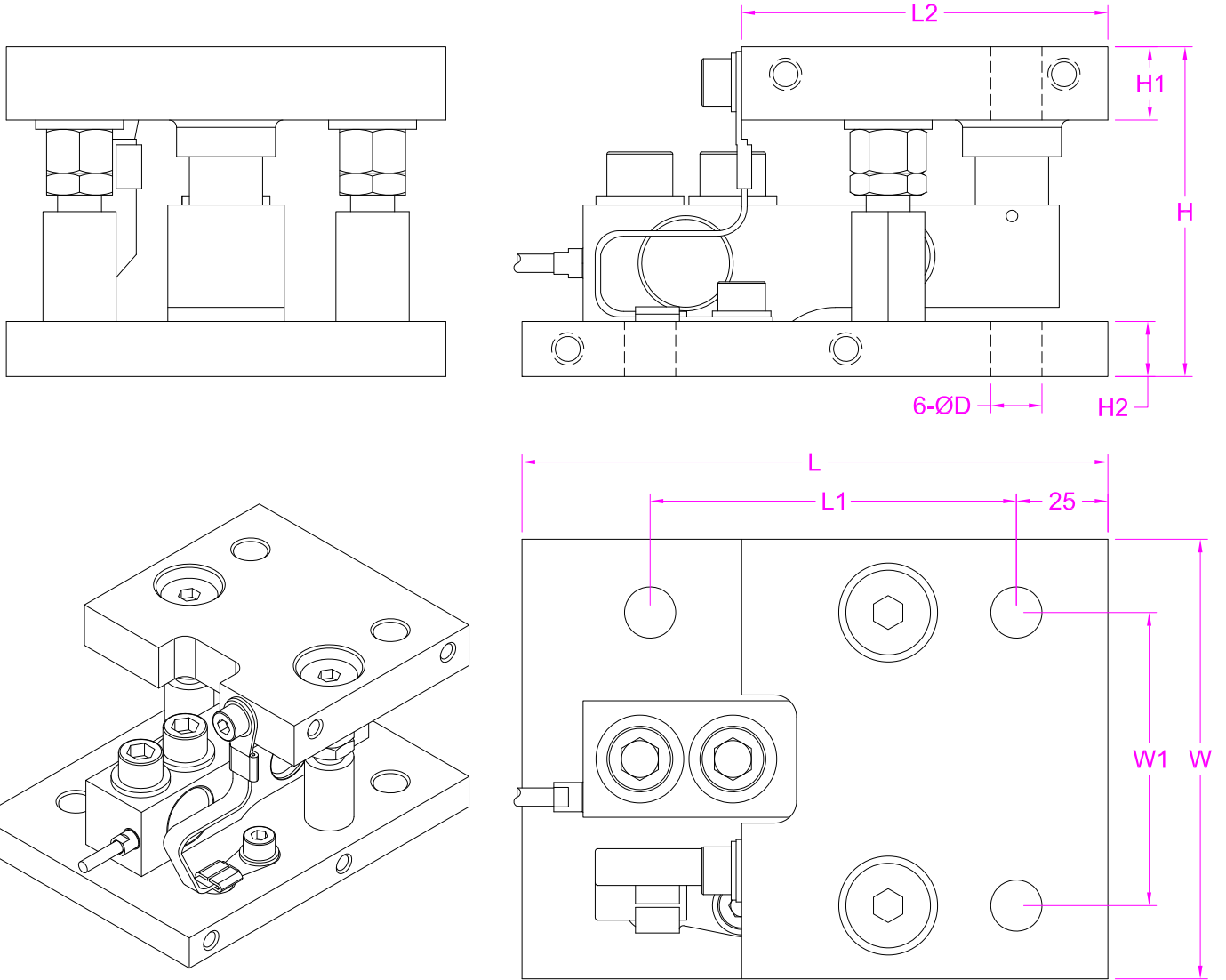


Ordering code	D	H	d	h	h1	M	Material
SB-A	60	41~48	20	12	2	M12*1.75	Stainless steel and rubber
SB-B	80	67~77	30	15	5	M20*2.5	

Mounting example



Stainless steel weighing module (Model SBMA)



Capacity	L	W	H	L1	L2	W1	H1	H2	D	Material
250kg~2t	160	120	90	100	100	80	20	15	14	Stainless steel
2.5t/3t/5t	185	150	125	135	120	100	20	20	18	

Ordering code

SBMA - 2t - 4W

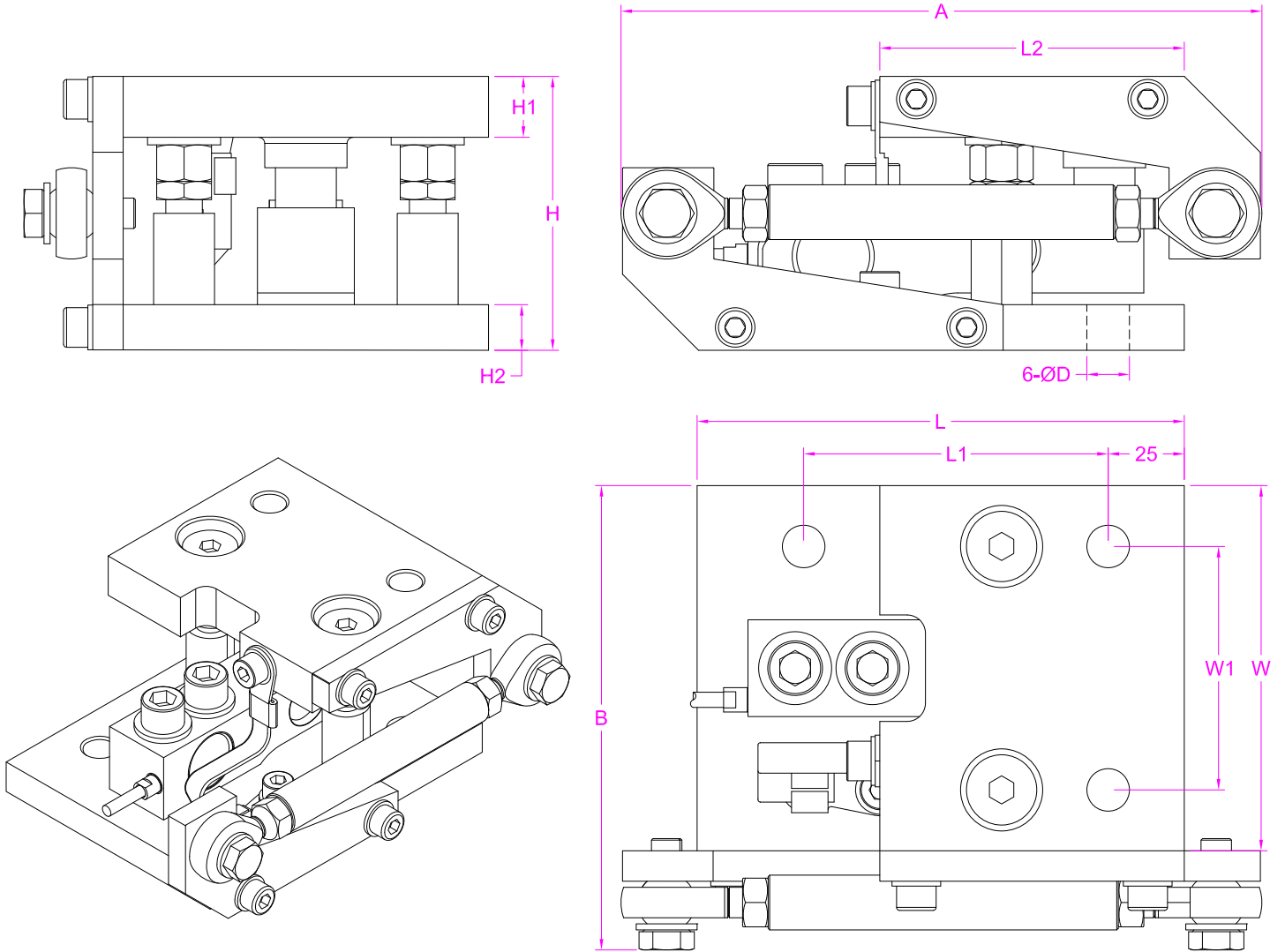
Model

Capacity

4W: 4 wire
6W: 6 wire

Load cell FHSB included

Stainless steel weighing module (Model SBMB)

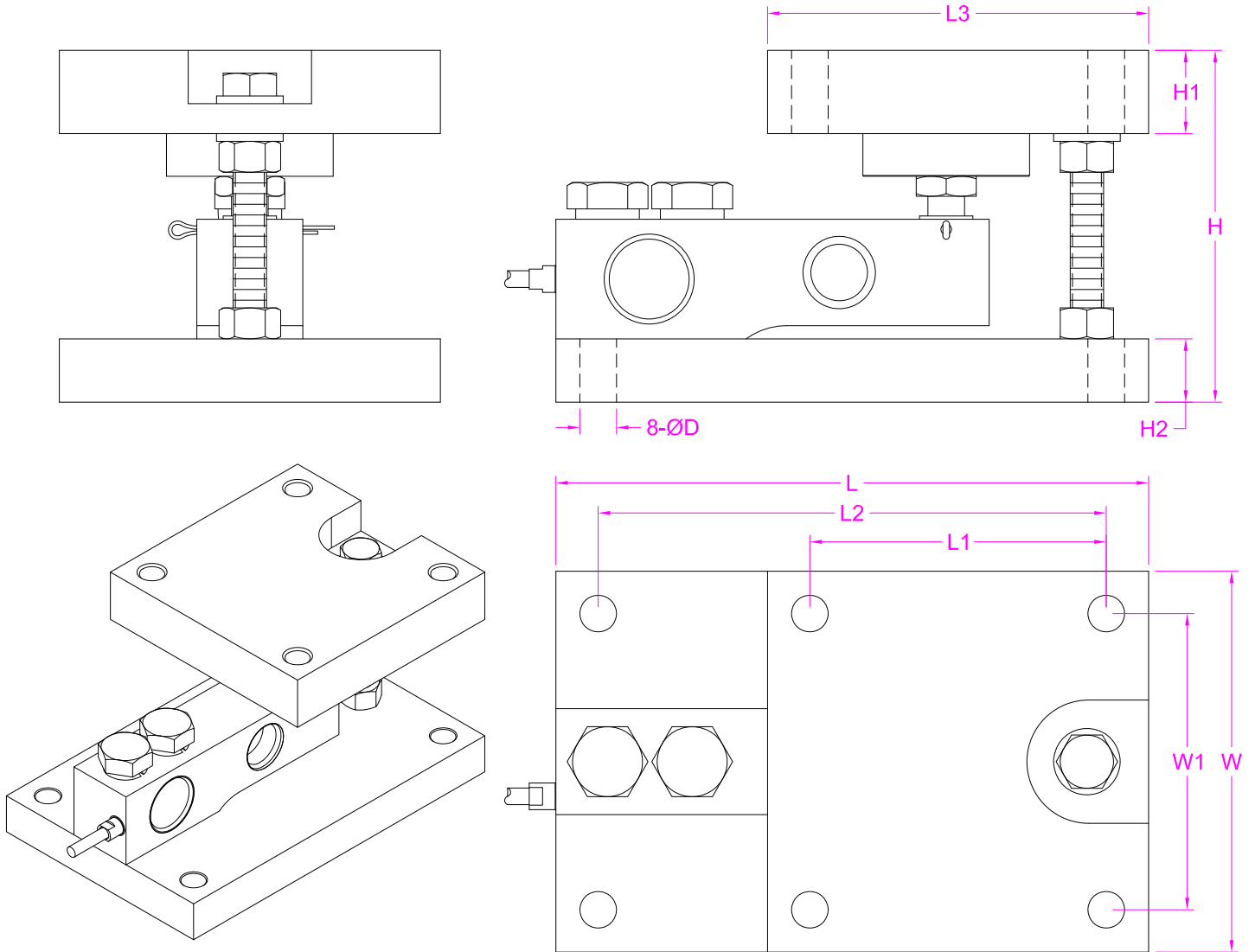


Capacity	L	W	H	L1	L2	W1	H1	H2	D	A	B	Material
250kg~2t	160	120	90	100	100	80	20	15	14	211	154	Stainless steel
2.5t/3t/5t	185	150	125	135	120	100	20	20	18	226	186	

Ordering code
SBMB - 2t - 4W

 Model Capacity 4W: 4 wire
 6W: 6 wire
Load cell FHSB included

Stainless steel weighing module (Model SBMC)



Capacity	L	W	H	L1	L2	L3	W1	H1	H2	D	Material
250kg~2t	177.8	114.3	104.8	88.9	152.4	114.3	88.9	25.4	19	11	Stainless steel
2.5t/3t/5t	235	152.4	136.5	101.6	184.2	152.4	101.6	32	25.4	17.5	

Ordering code
SBMC - 2t - 4W
 Model Capacity 4W: 4 wire
 6W: 6 wire
Load cell FHSB included