

Ordering code

FYTQ-50-A

Torque range
(NM)

Code	Excitation	Torque output
A	24V DC	-5-5V
B		-10-10V
C		4-12-20mA
D	12V DC	-5-5V
E		4-12-20mA
F		-3.3-3.3V
G	24V DC	0-1.65-3.3V
H		0-2.5-5V
I		-3.3-3.3V
J	12V DC	0-1.65-3.3V
K		0-2.5-5V
L		0-5-10V



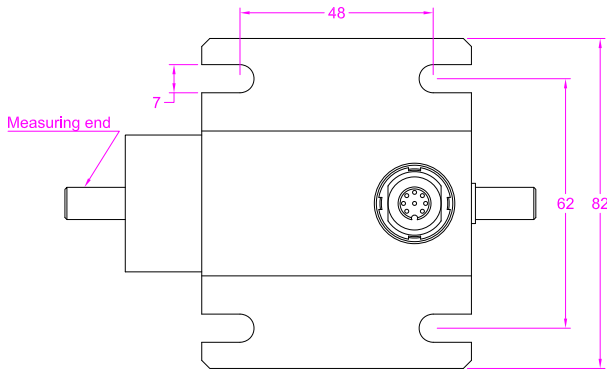
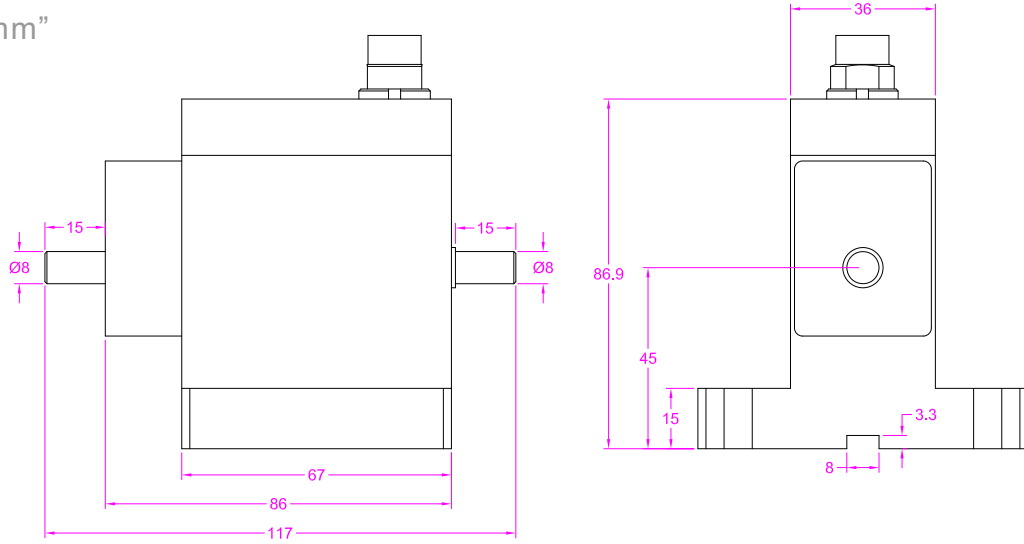
Wiring code	
Red	Power+
Black	Power-
Green	Torque output+
White	Output-
Yellow	Angle A
Blue	Angle B

--- Specifications / 规格参数 ---

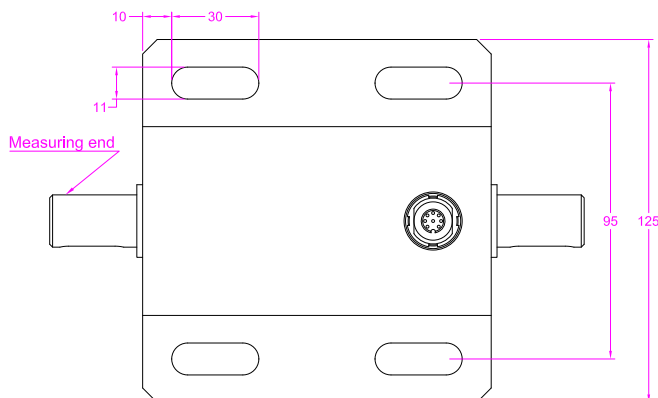
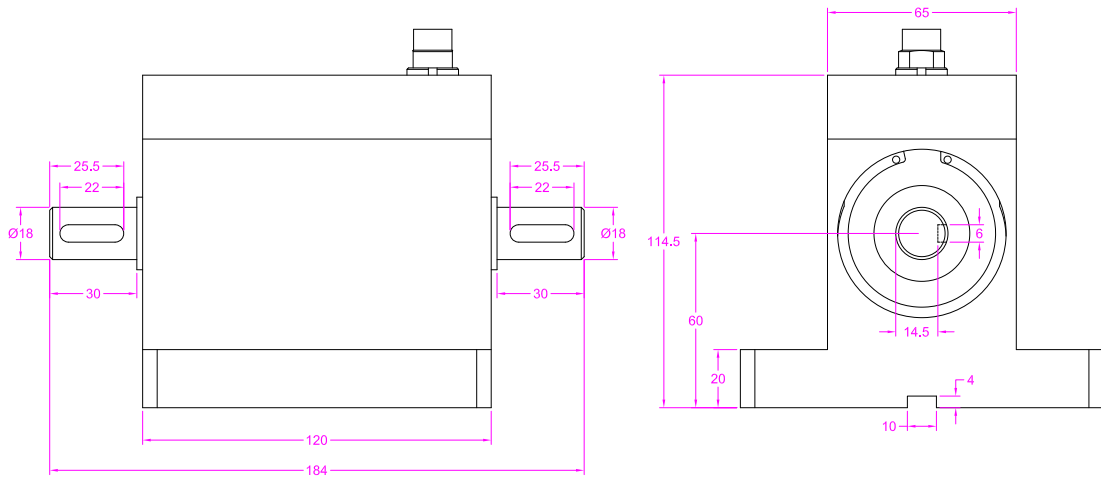
Capacity/量程	5/10/20/30/50/100/200/300/500 NM
Max Rotating Speed/最高转速	6000RPM
Excitation/激励电压	12 or 24V DC
Angle Output/角度输出	5Nm: 1024 pulses per revolution 10~500Nm: 2048 pulses per revolution
Torque Output/扭矩输出	Refer to ordering code
Sampling Rate/采样频率	500Hz
Nonlinearity/非线性	±0.2% of F.S.
Hysteresis/滞后	±0.2% of F.S.
Nonrepeatability/非重复性	±0.2% of F.S.
Creep/蠕变(5min)	±0.1% of F.S.
Safe Overload/安全过载	150% of F.S.
Ultimate Overload/极限过载	200% of F.S.
Working Temperature/工作温度	-10...+60°C
Temp. Shift Zero/零点温度漂移	±0.02% of R.O./°C
Temp. Shift Span/灵敏度温度漂移	±0.02% of R.O./°C
Ingress Protection/防护等级	IP40
Material of Element/弹性体材质	Stainless steel/不锈钢
Material of Housing/外壳材质	Aluminum alloy/铝合金
Cable/导线	Ø6*3000mm with mating connector Ø6*3000mm 屏蔽线

P-1/3

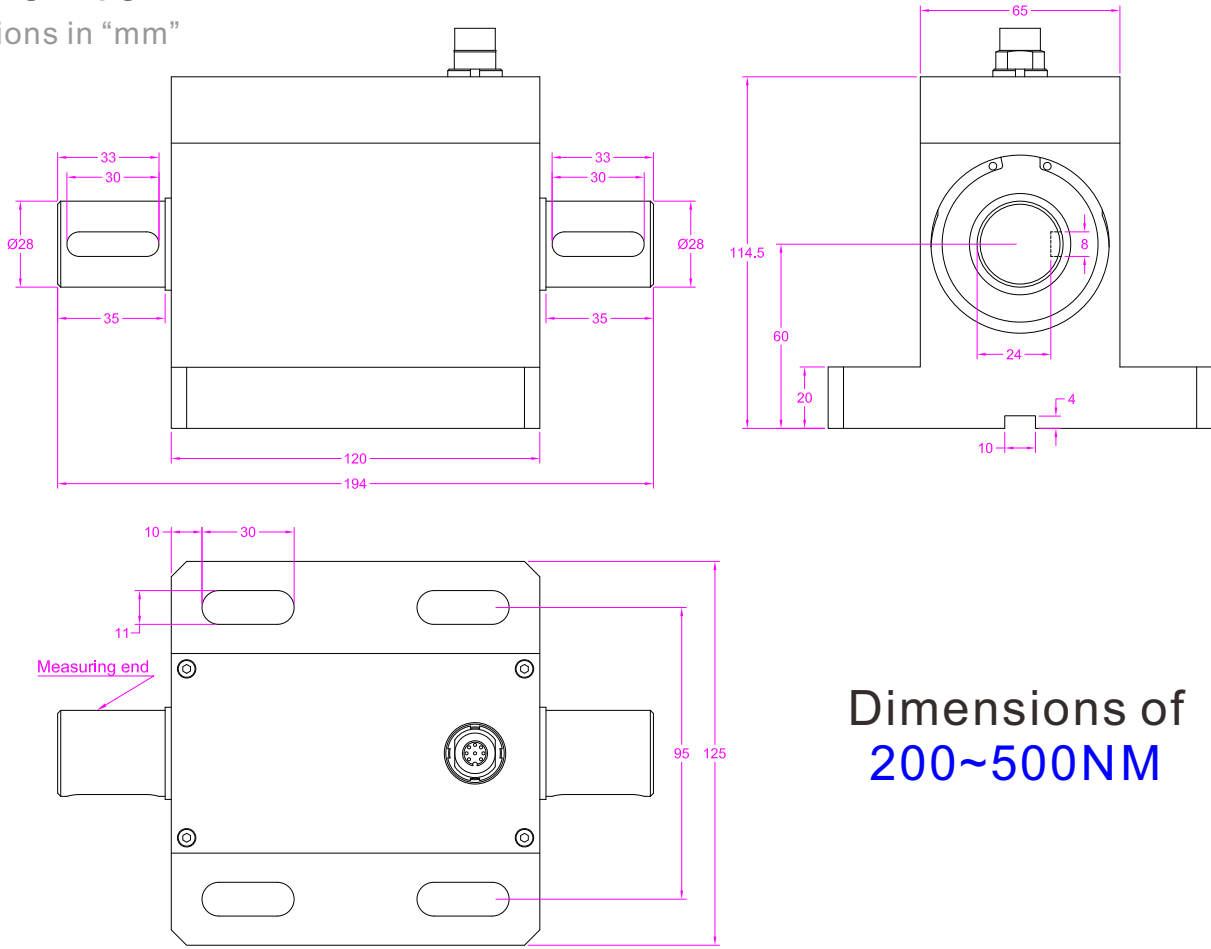
• Subject to change without notice / 如有更改,不另行通知



Dimensions of
5NM



Dimensions of
10~100Nm



Dimensions of
200~500NM

Ordering code of the cable

FYTQ-8P-3M-L

FYTQ-8P-3M-R

FYTQ-8P-3M

