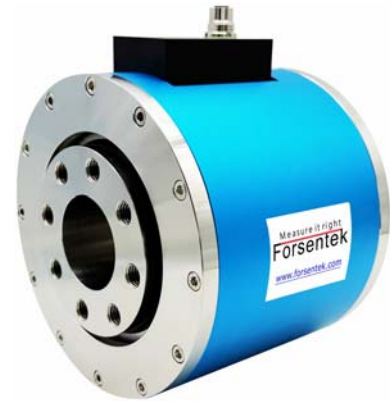
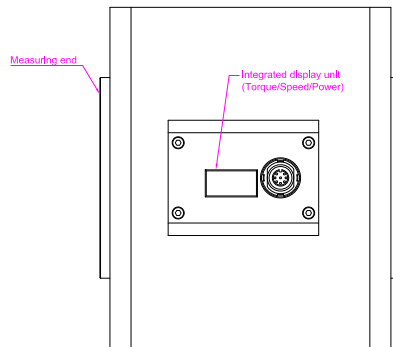


Customizable
 可定制



--- Specifications / 规格参数 ---

Capacity/量程	2k/3k/5k/10k NM
Speed range/转速范围	0~2000RPM
Excitation/激励电压	12 or 24V DC
Speed Output/转速输出	Refer to ordering code
Torque Output/扭矩输出	
Sampling Rate/采样频率	500Hz
Nonlinearity/非线性	±0.5% of F.S.
Hysteresis/滞后	±0.5% of F.S.
Nonrepeatability/非重复性	±0.2% of F.S.
Creep/蠕变(5min)	±0.1% of F.S.
Safe Overload/安全过载	150% of F.S.
Ultimate Overload/极限过载	200% of F.S.
Working Temperature/工作温度	-10...+60°C
Temp. Shift Zero/零点温度漂移	±0.02% of R.O./°C
Temp. Shift Span/灵敏度温度漂移	±0.02% of R.O./°C
Ingress Protection/防护等级	IP40
Material of Element/弹性体材质	Stainless steel/不锈钢
Material of Housing/外壳材质	Aluminum alloy/铝合金
Cable/导线	Ø6*5000mm with mating connector Ø6*5000mm 屏蔽线

• Subject to change without notice / 如有更改,不另行通知

Ordering code of the sensor

Ordering code

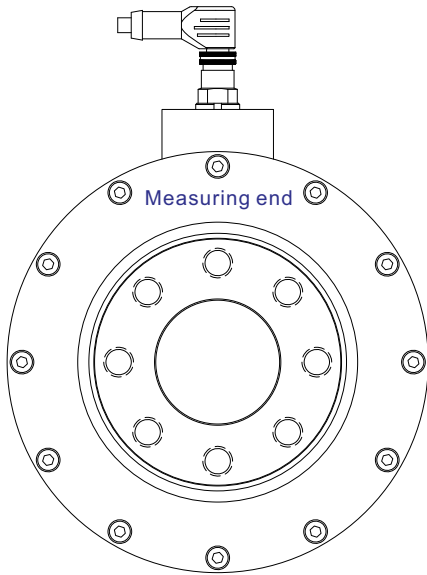
FYTF-5k - 1000-B
 Torque range (NM) Speed range (RPM)

Code	Excitation	Torque output	Speed output
A	24V DC	-5-5V	0-5V
B		-10-10V	0-10V
C		4-12-20mA	4-20mA
D	12V DC	-5-5V	0-5V
E		4-12-20mA	4-20mA
F		-3.3-3.3V	0-3.3V
G		0-1.65-3.3V	0-3.3V
H	24V DC	0-2.5-5V	0-5V
I		-3.3-3.3V	0-3.3V
J		0-1.65-3.3V	0-3.3V
K		0-2.5-5V	0-5V
L		0-5-10V	0-10V

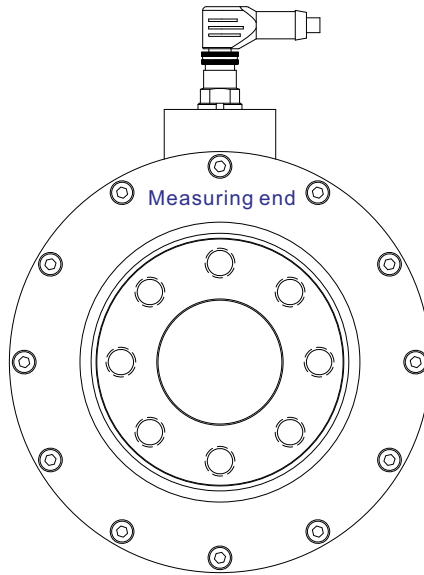
Wiring code	
Red	Power+
Black	Power-
Green	Torque output+
Yellow	Speed output+
White	Output-
Bold Yellow	Shield

Ordering code of the cable

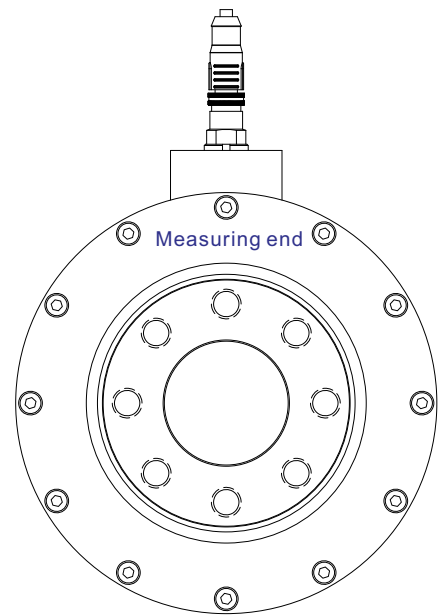
FYTF-8P-5M-L



FYTF-8P-5M-R



FYTF-8P-5M



FYTF-8P-5M-L
FYTF-8P-5M-R



FYTF-8P-5M

