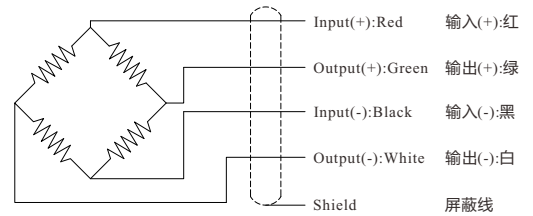


Ordering code
FCM - 5t
 Model Capacity

Capacity(t)	A	B	C	D	E	d	h1	h	M
0.5/1/2/3/5/7	105	32	88.9	11	10	6.5	34	37	M16*1.5
10/20/25	125	39	101.6	14	11	8.5	48	52	M32*1.5
30/50	145	50	116.8	17	11	10.5	54	58	M40*1.5
60/100	205	80	162	20	15	12.5	78	85	M60*2

Wiring Diagram/接线图



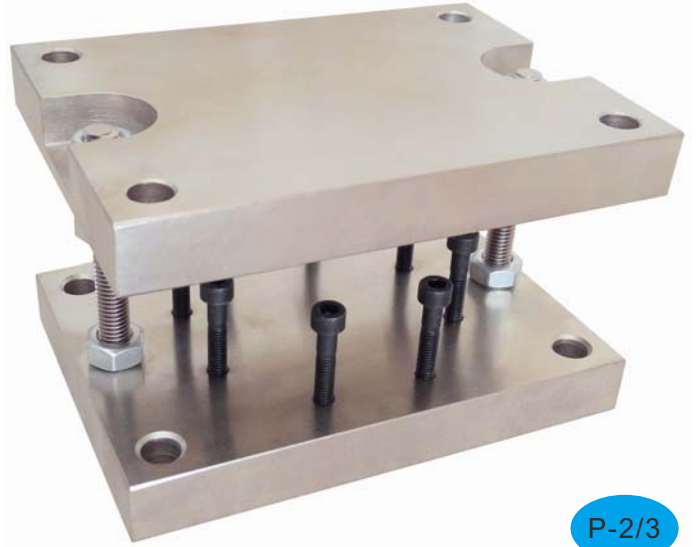
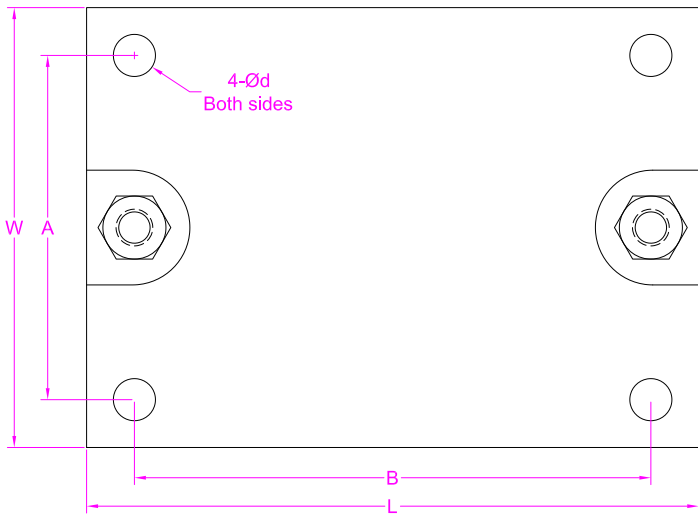
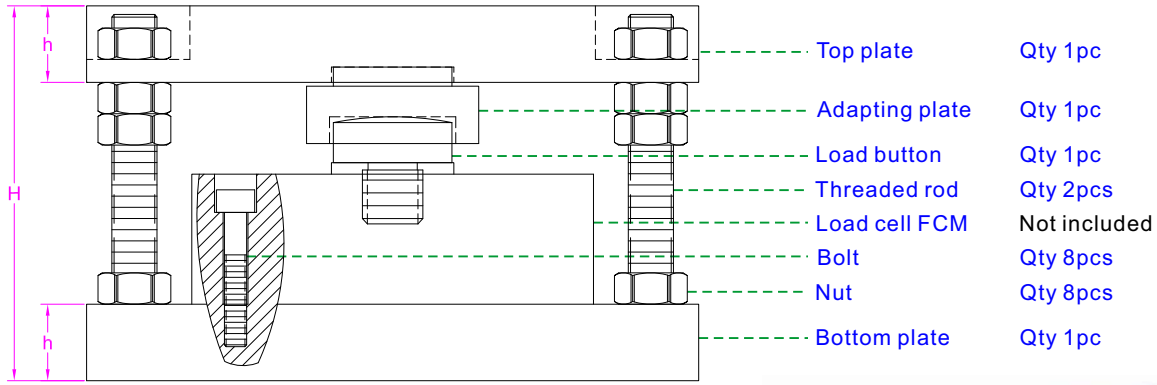
--- Specifications / 规格参数 ---

P-1/3

Rated Output 额定输出	2.0±10% mV/V	Compensated Temp. 温度补偿范围	-10...+40°C
Excitation 激励电压	3~15V	Operating Temp. 工作温度范围	-20...+60°C
Zero Balance 零点输出	±2% of R.O.	Temp. Shift Zero 零点温度漂移	±0.05% of R.O./10°C
Nonlinearity 非线性	±0.05% R.O. (≥30t ±0.1% R.O.)	Temp. Shift Span 灵敏度温度漂移	±0.05% of R.O./10°C
Hysteresis 滞后	±0.05% R.O. (≥30t ±0.1% R.O.)	Input Resistance 输入阻抗	400±30Ω
Nonrepeatability 非重复性	±0.05% R.O. (≥30t ±0.1% R.O.)	Output Resistance 输出阻抗	355±10Ω
Creep(10min) 蠕变	±0.03% of R.O.	Insulation Resistance 绝缘阻抗	>5000MΩ(50V)
Safe Overload 安全过载	150% of F.S.	Ingress Protection 防护等级	IP66
Ultimate Overload 极限过载	200% of F.S.	Material of Element 弹性体材料	Alloy steel 合金钢
Cable 导线	(<10t, Ø5*3000mm) Ø5.8*6000mm 4-core shielded cable (<10t, Ø5*3000mm) Ø5.8*6000mm 4芯屏蔽线		
R.O.=Rated Output/额定输出 F.S.=Full Scale/满量程			

• Subject to change without notice / 如有更改,不另行通知

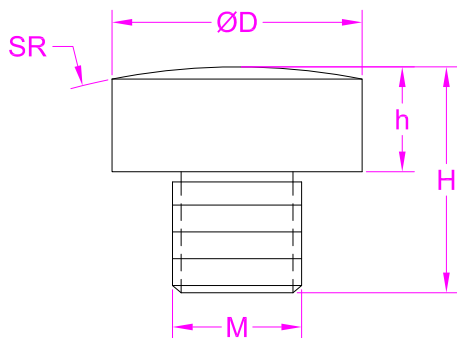
Mounting assembly



P-2/3

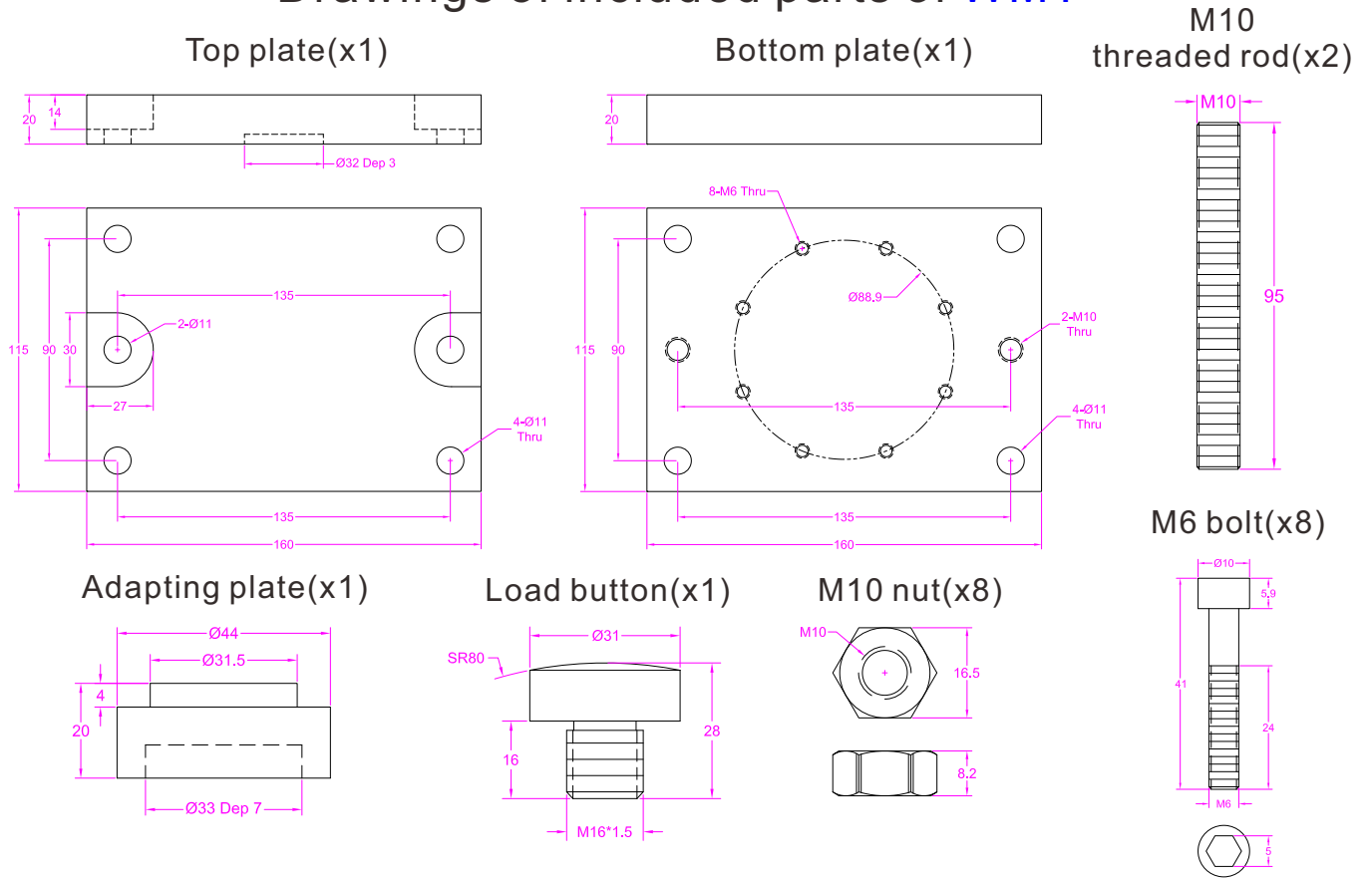
Part No.	Compatible with	L	W	H	A	B	h	d	Net weight (Excluding load cell)	Material
WMT	FCM(0.5/1/2/3/5/7t)	160	115	98	90	135	20	11	5.9kg	Alloy steel
WMH	FCM(10/20/25t)	200	160	145	125	160	25	13	13kg	

Load button



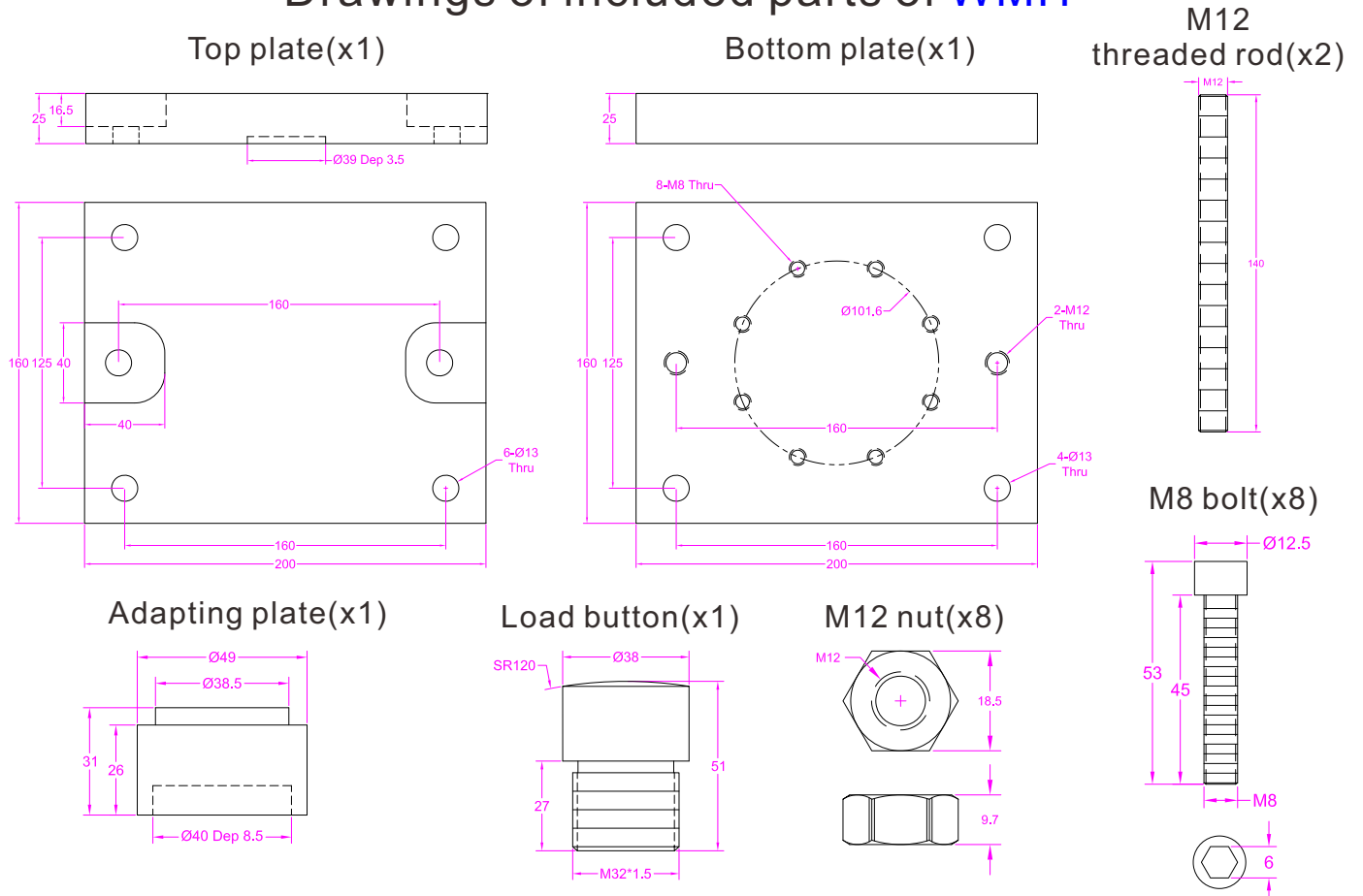
Part No.	H	h	D	M	SR	Compatible with	Net weight
LBA	28	13	31	M16*1.5	80	FCM(0.5/1/2/3/5/7t)	92g
LBB	51	24	38	M32*1.5	120	FCM(10/20/25t)	364g
LBC	62	32	50	M40*1.5	200	FCM(30/50t)	752g
LBD	80	42	80	M60*2	280	FCM(60/100t)	2391g

Drawings of included parts of **WMT**



Drawings of included parts of **WMH**

P-3/3



• Subject to change without notice