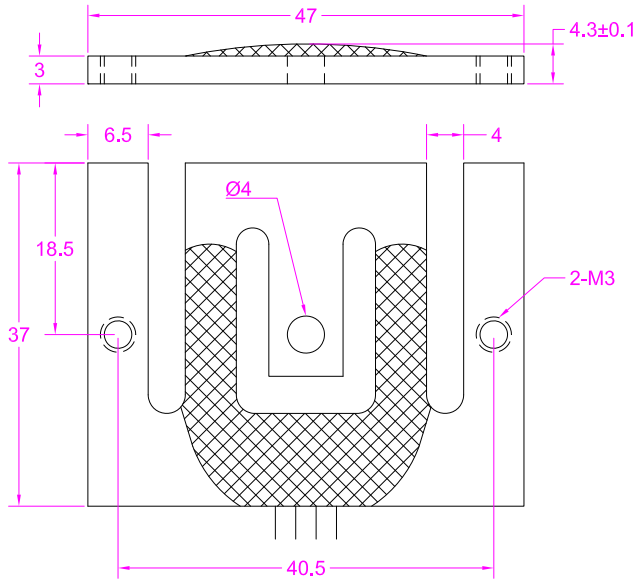
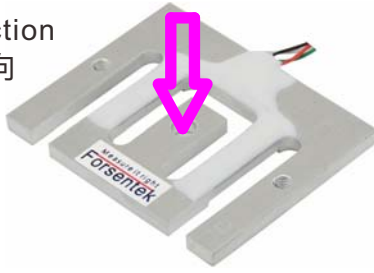
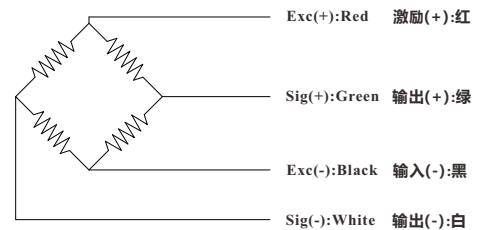


Load direction
加载方向



Wiring Diagram/接线图



--- Specifications / 规格参数 ---

Rated capacity 额定量程	5kg	Rated output 额定输出	1.0±20% mV/V
Excitation 激励电压	3~8V	Operating Temp. 工作温度范围	0...+40°C
Zero Balance 零点输出	±0.1 mV/V	Temp. Shift Zero 零点温度漂移	±0.2% of R.O./°C
Nonlinearity 非线性	±0.1% of R.O.	Temp. Shift Span 灵敏度温度漂移	±0.01% of R.O./°C
Hysteresis 滞后	±0.1% of R.O.	Input Resistance 输入阻抗	1000±200 Ω
Nonrepeatability 非重复性	±0.1% of R.O.	Output Resistance 输出阻抗	1000±200 Ω
Creep(2min) 蠕变	±0.1% of R.O.	Insulation Resistance 绝缘阻抗	>2000 $M\Omega(50V)$
Safe Overload 安全过载	150% of F.S.	Ingress Protection 防护等级	IP62
Ultimate Overload 极限过载	200% of F.S.	Material of Element 弹性体材料	Aluminum alloy 铝合金
Cable 导线	32AWG*90mm 4-conductor(Longer cable available) 32AWG*90mm 4芯线		
R.O.=Rated Output/额定输出 F.S.=Full Scale/满量程			

• Subject to change without notice / 如有更改,不另行通知