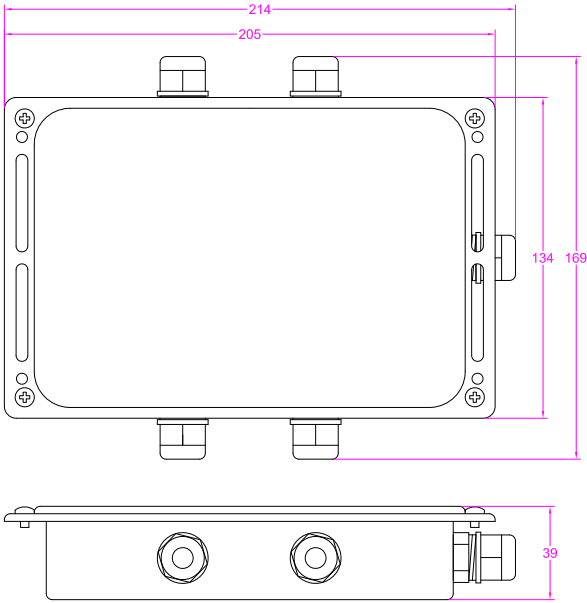
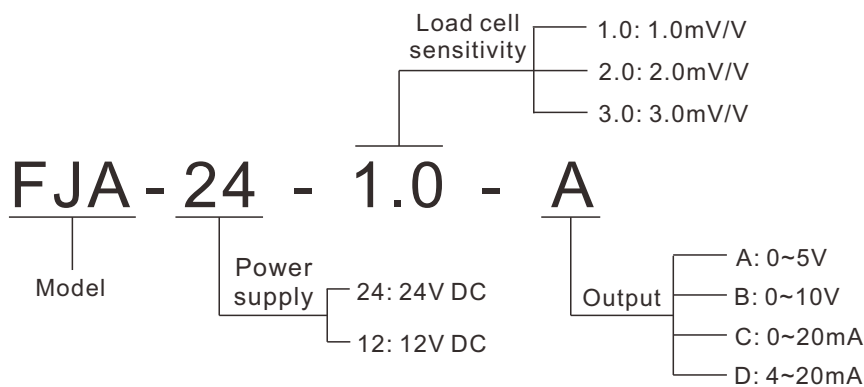


## Load cell amplifier for 2~4pcs load cells



Function	Signal trimming & amplification for up to 4 sensors
Power supply	12V DC / 24V DC
Excitation for load cell	5V DC
Input	1.0~3.0mV/V
Output	0~5V/0~10V/0~20mA/4~20mA
Accuracy	0.15% F.S.
Housing	Stainless steel
Ingress protection	IP65
Working temperature	-10....+50°C
Applicable cable diameter	Ø4~Ø7.2mm
Net weight	≈0.66kg

## Ordering code



☐ Contact us for other configurations

P-1/2

## Internal view



## Typical connection

