

## Customizable load pin

### Features

- 17-4PH stainless steel, rugged structure
- Built-in amplifier
- Interchangeable with existing shaft pin
- Redundant system with two outputs available
- Tailor-made to meet all kinds of applications

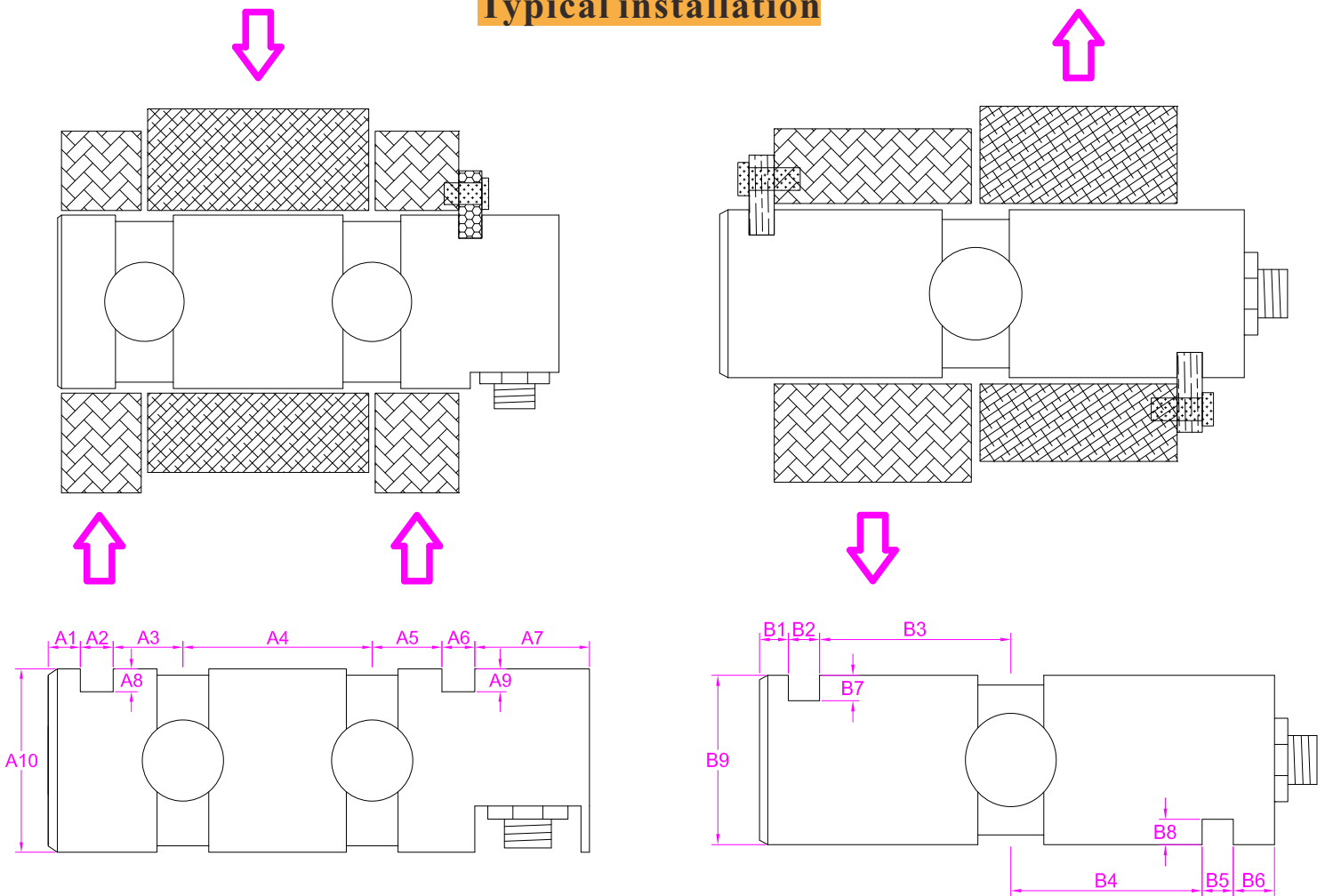
### Application

Force monitoring and overload protection for

- Mooring devices
- Winches
- Floor conveyers
- Hydraulic cylinders
- Coupling devices
- Hoisting equipments
- Sheave and pulley
- Construction machinery
- Bridge rope tension
- Industrial auto equipments

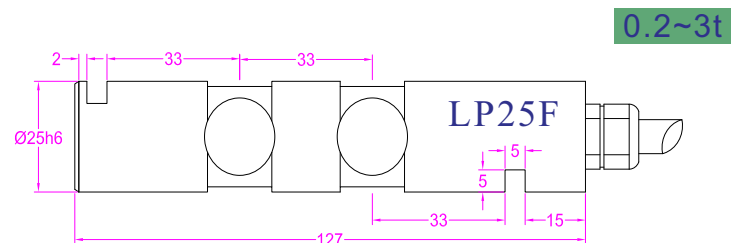
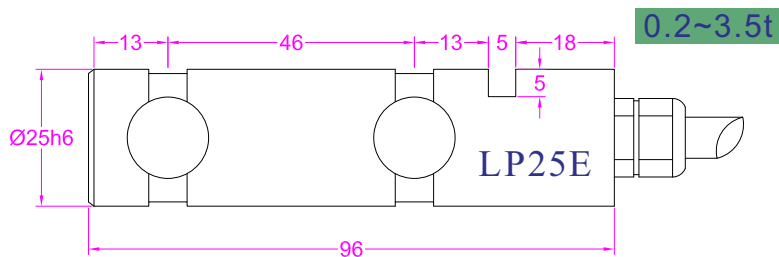
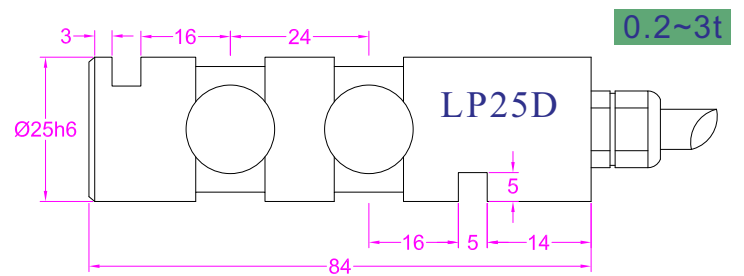
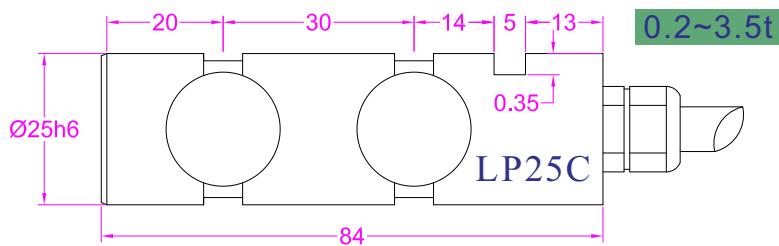
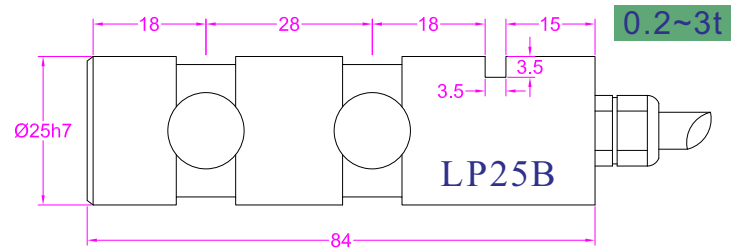
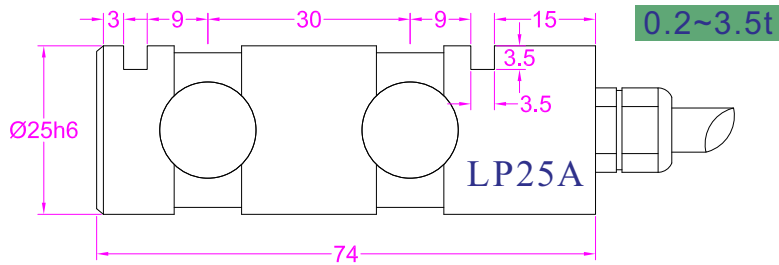
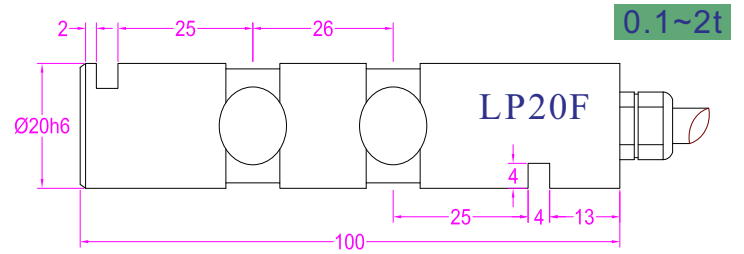
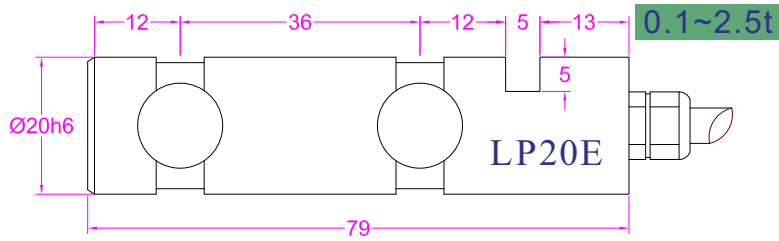
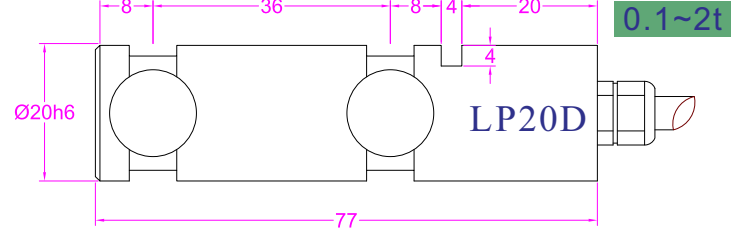
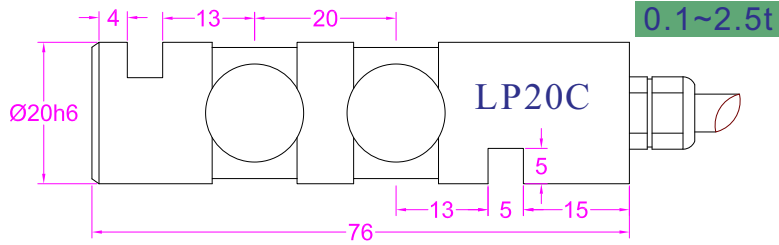
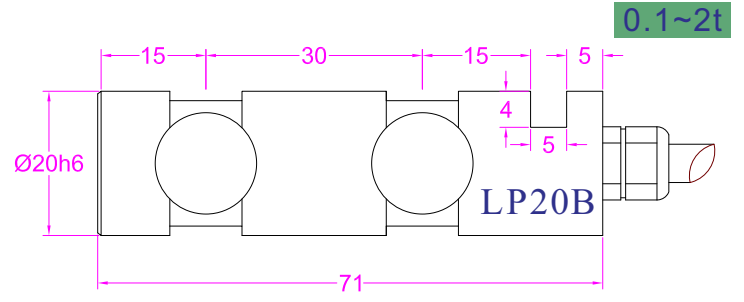
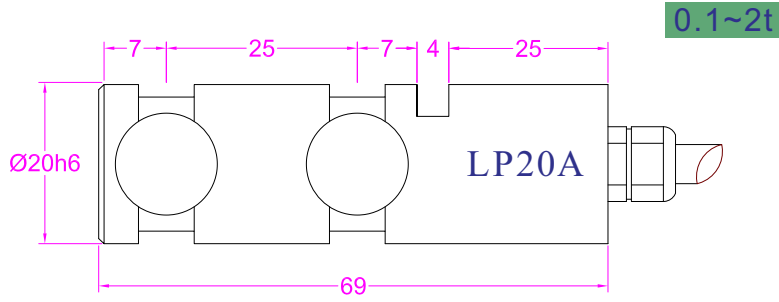


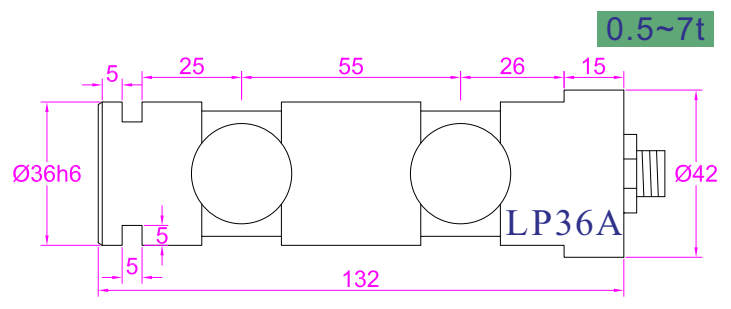
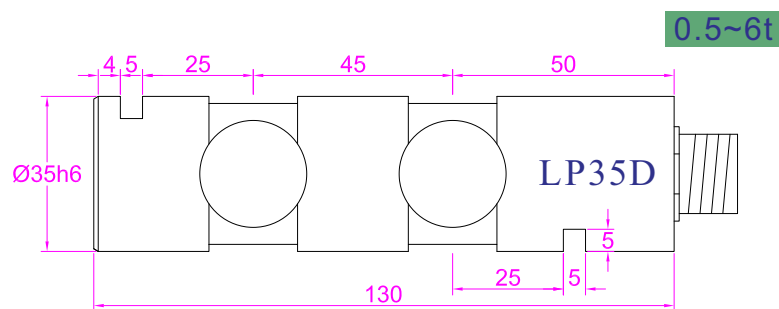
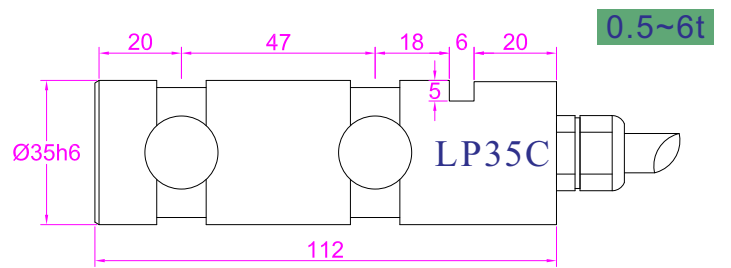
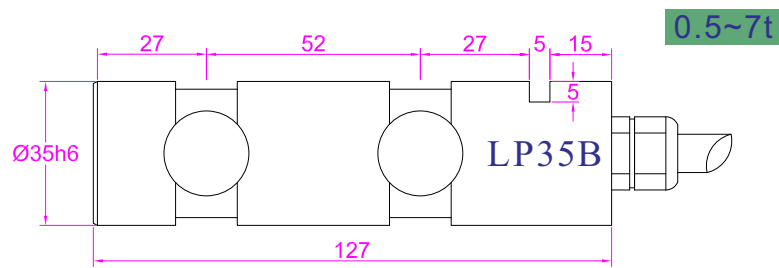
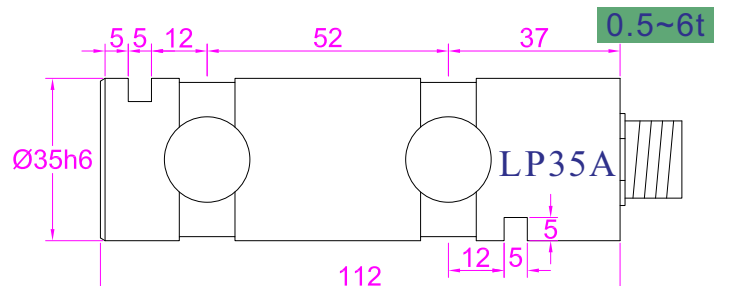
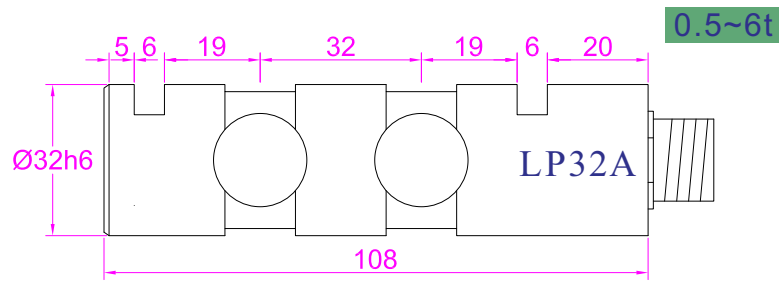
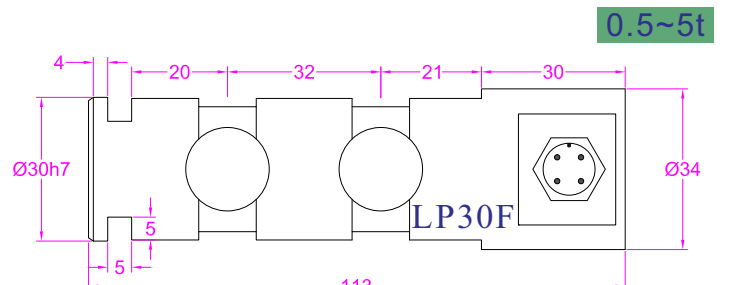
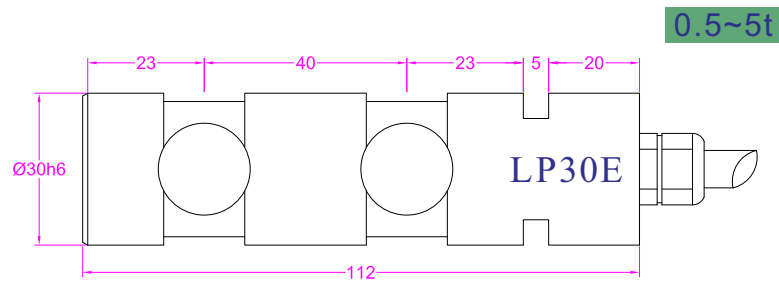
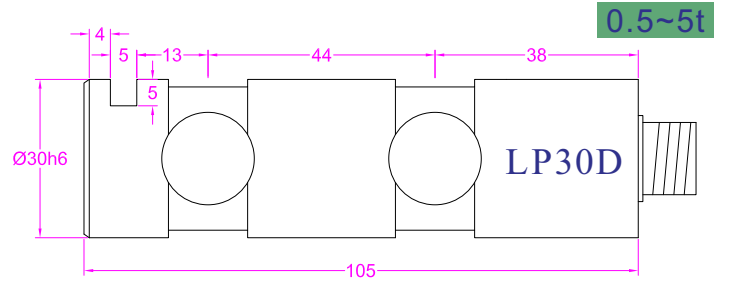
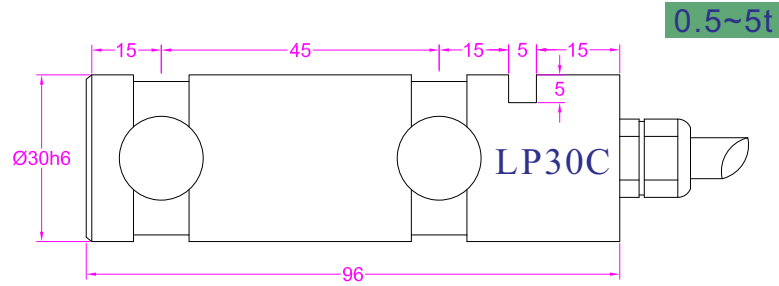
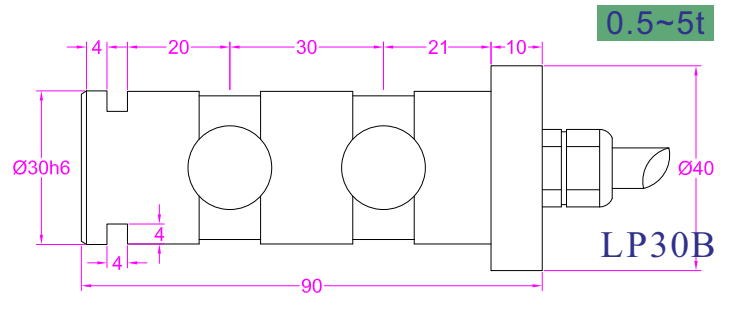
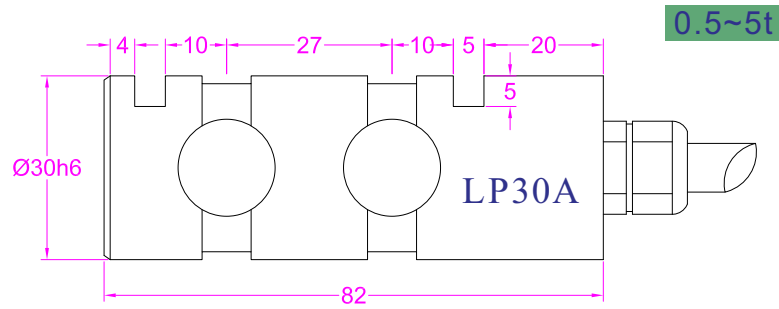
### Typical installation

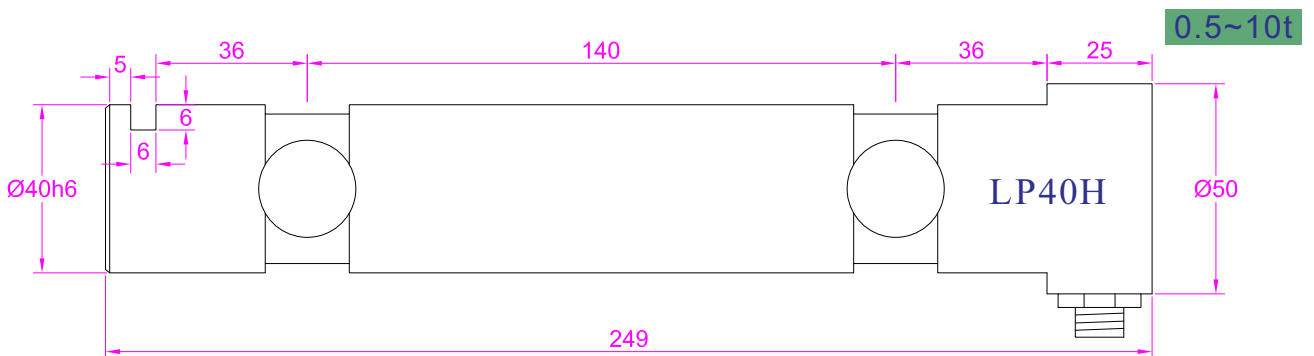
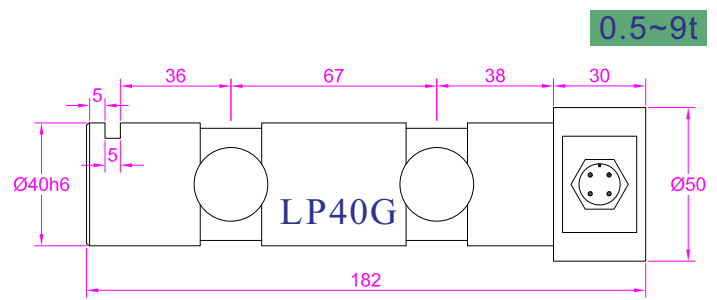
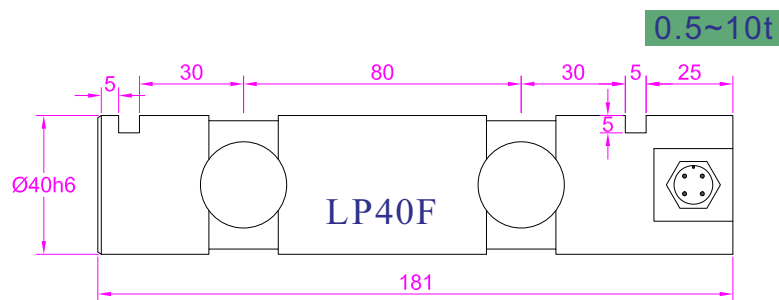
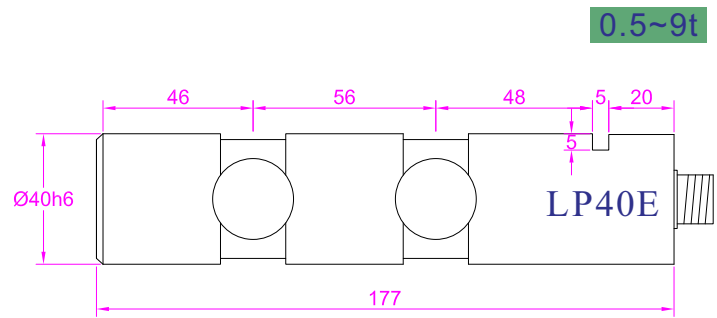
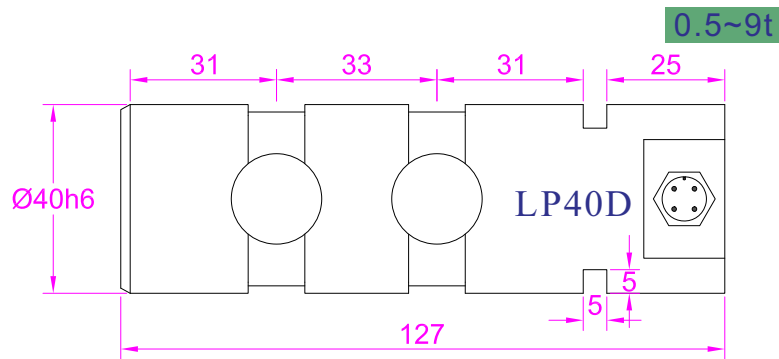
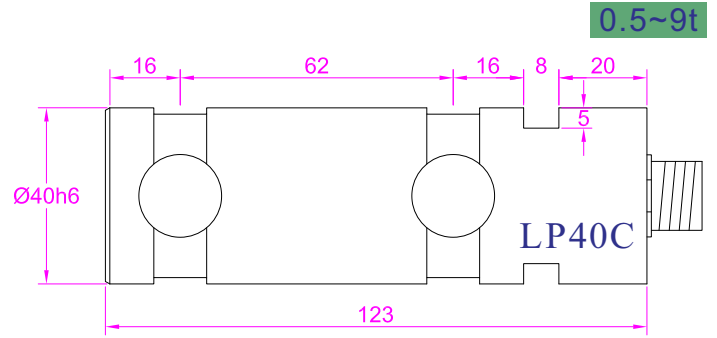
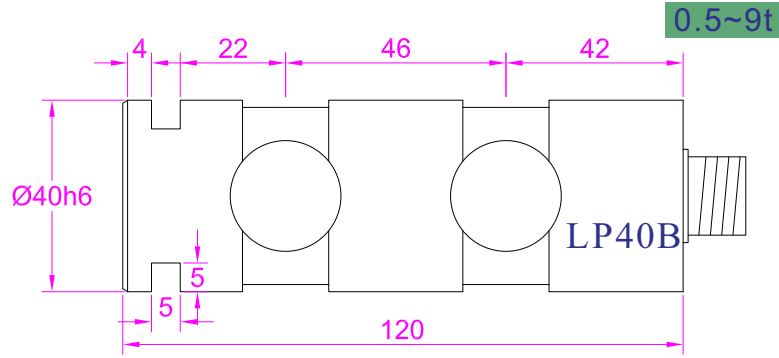
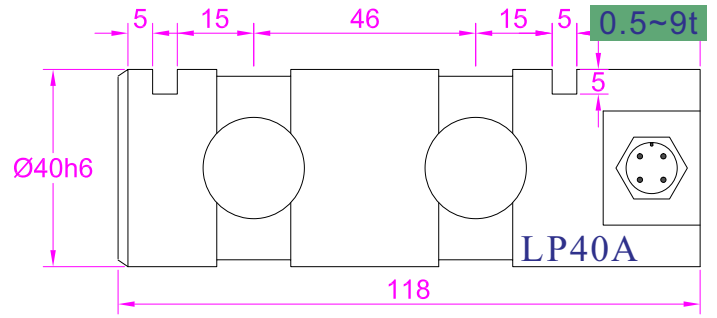
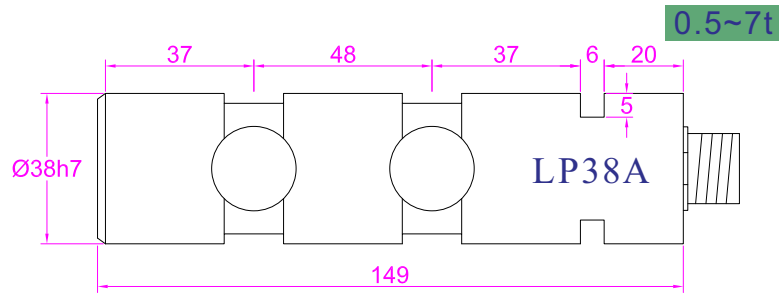


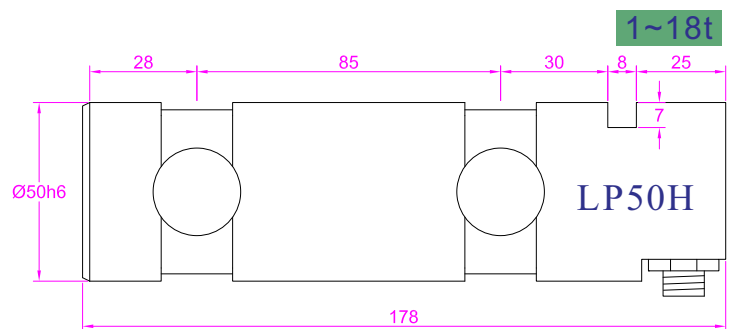
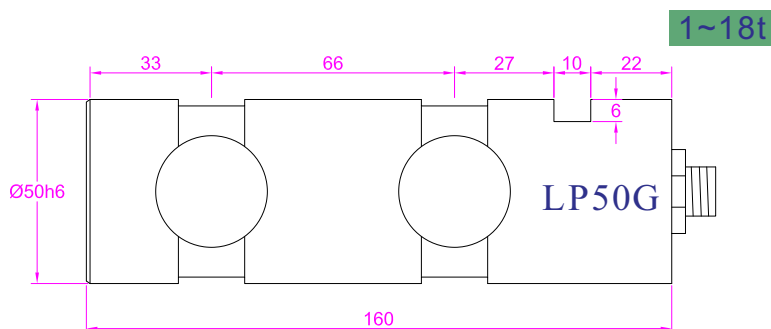
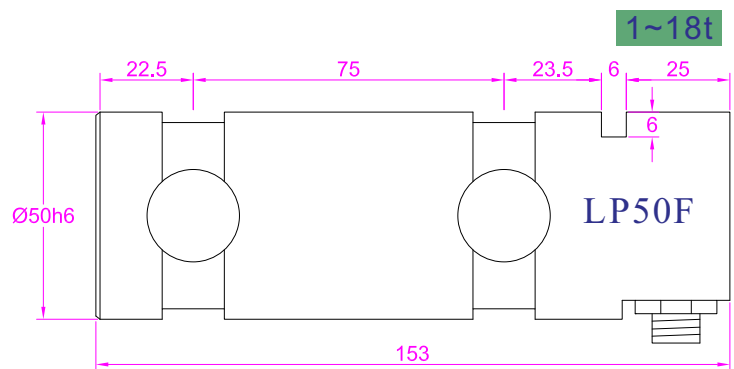
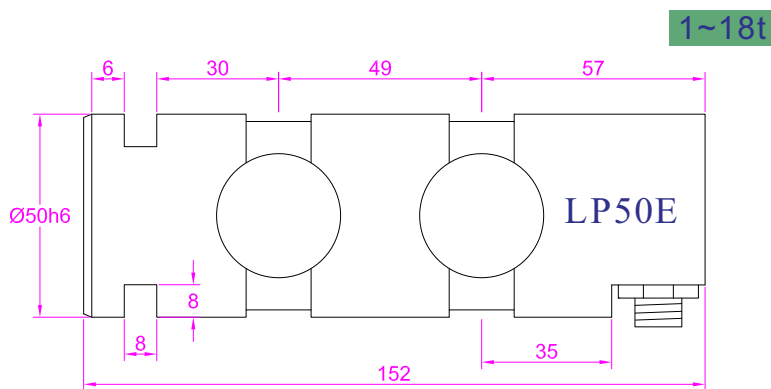
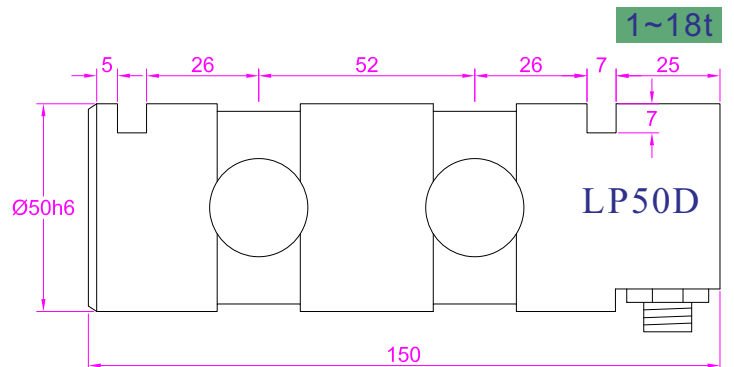
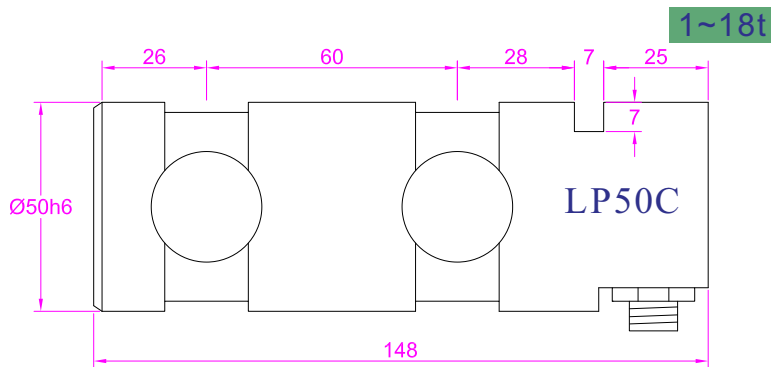
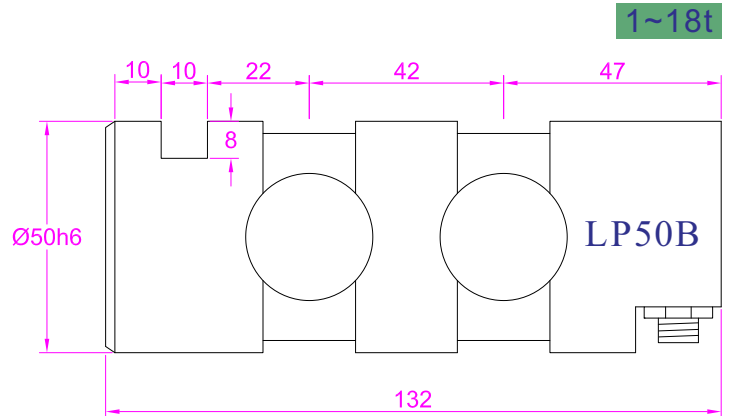
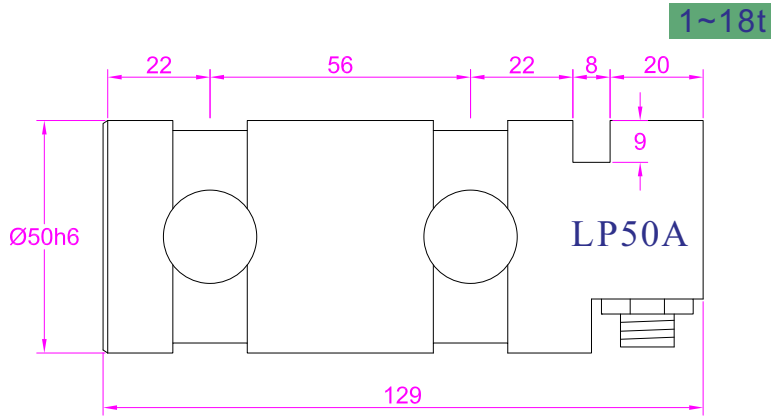
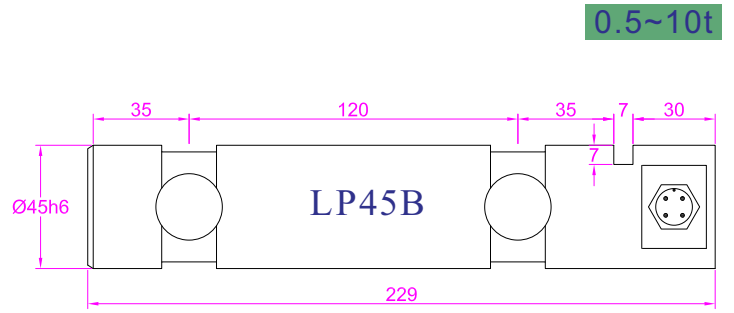
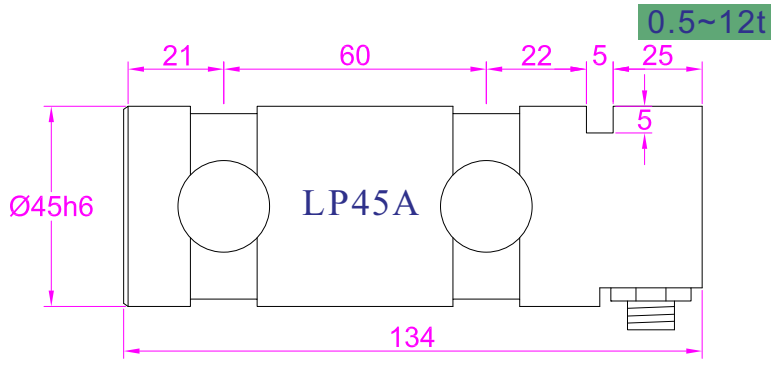
☐ Email dimensions A1~A10(or B1~B9)+Capacity+Output signal+Cable length to [sales@forsentek.com](mailto:sales@forsentek.com) for customized solutions

☐ 以上尺寸仅供参考，可根据要求定制

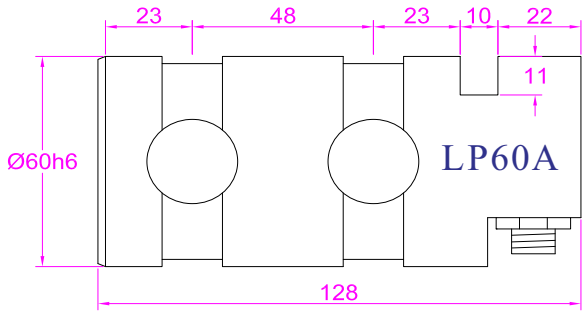




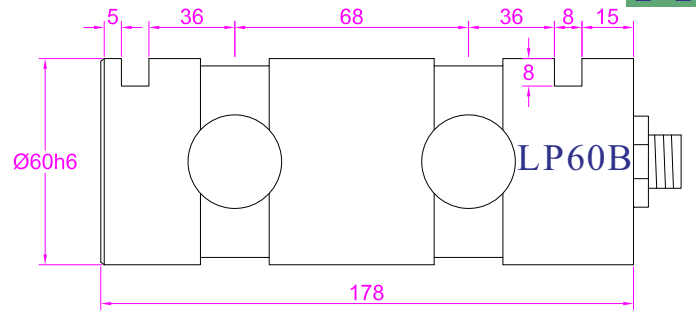




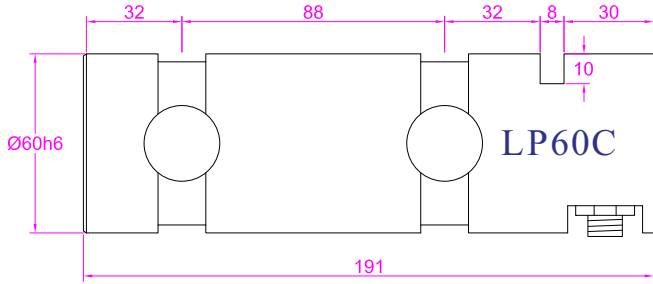
2~26t



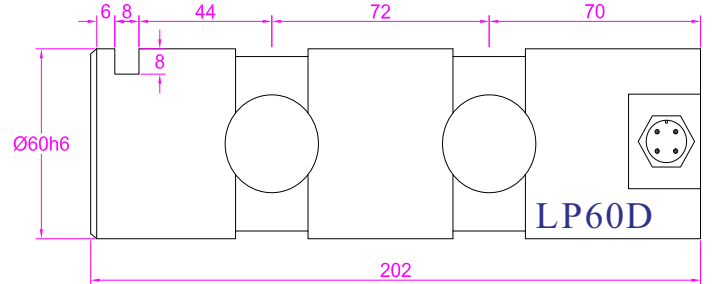
2~26t



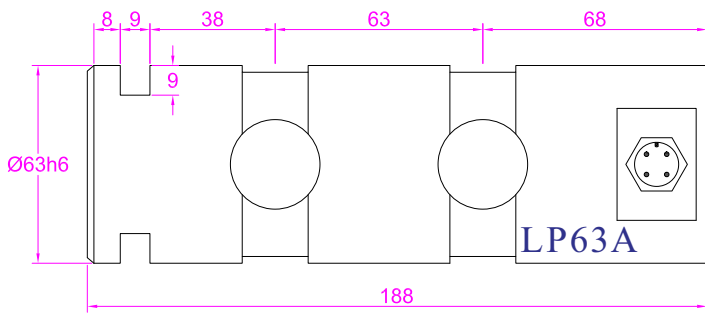
2~26t



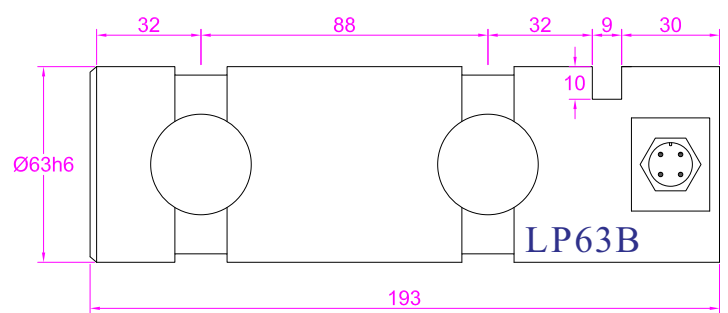
2~26t



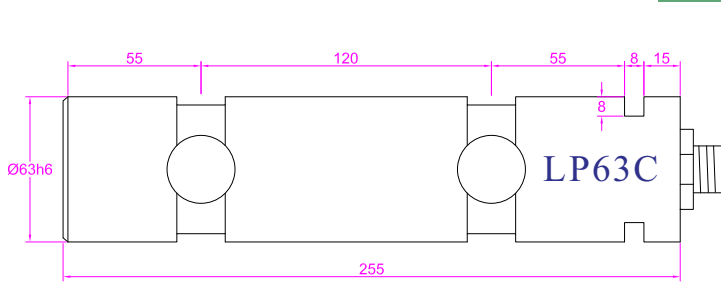
2~30t



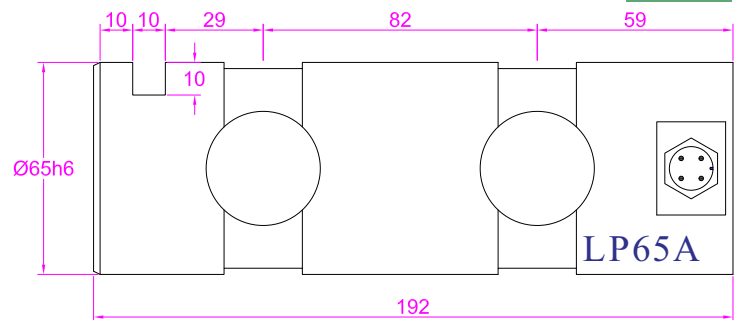
2~30t



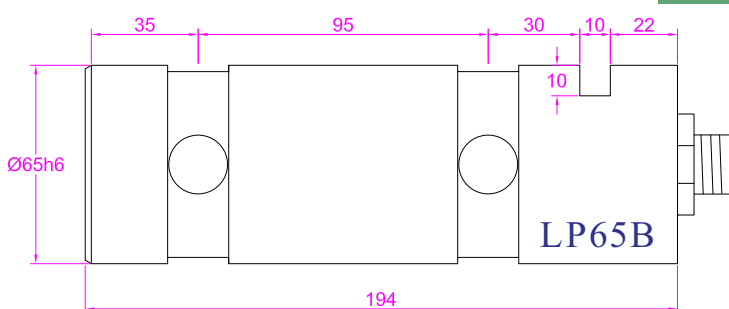
2~30t



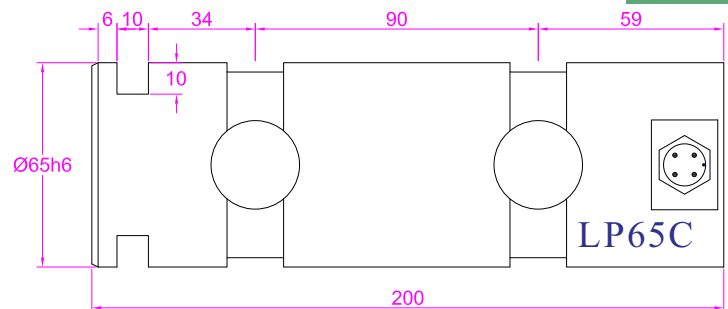
2~35t



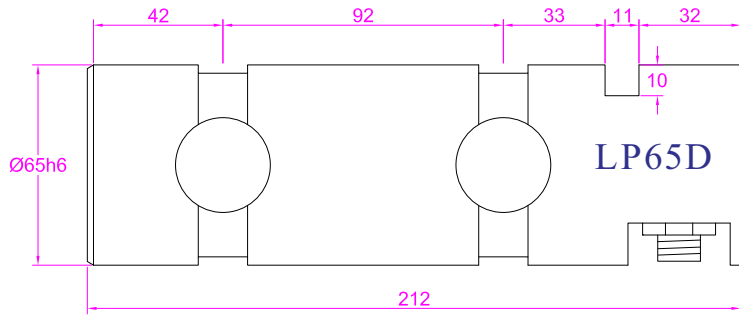
2~35t



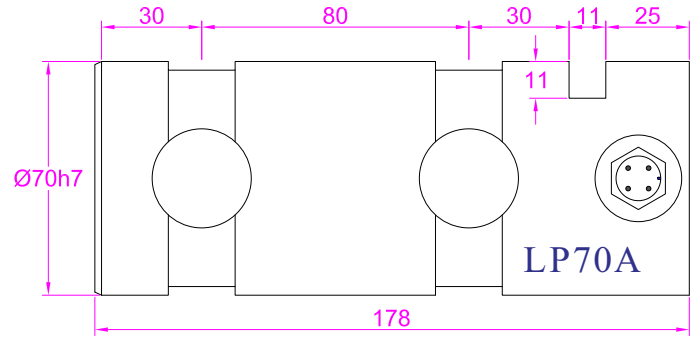
2~35t



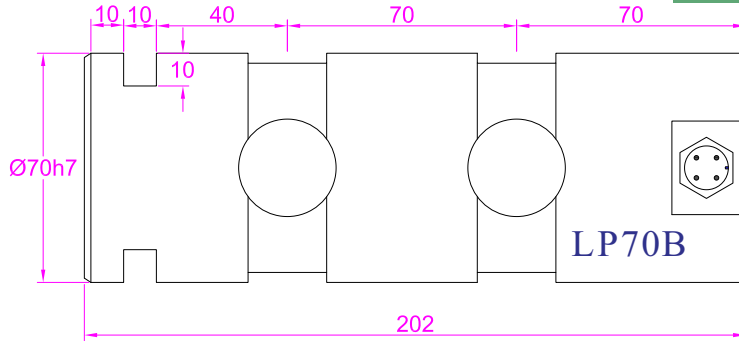
2~35t



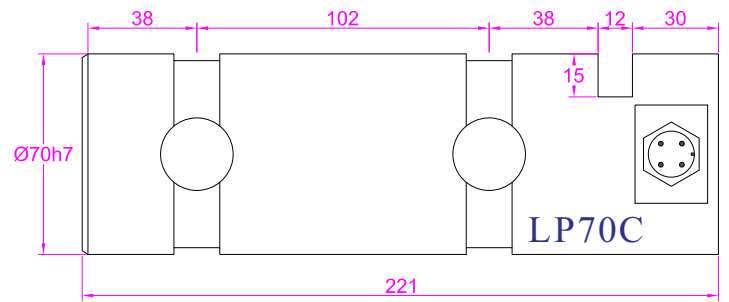
2~40t



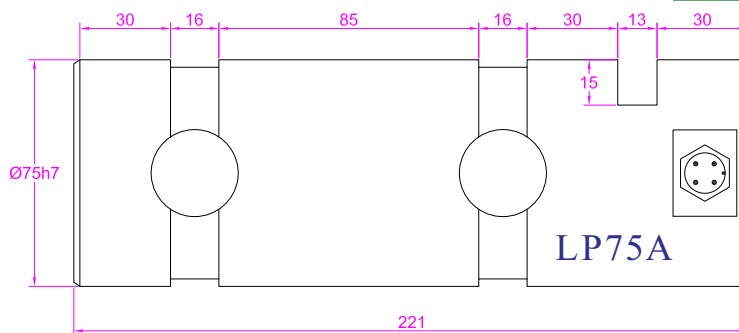
2~40t



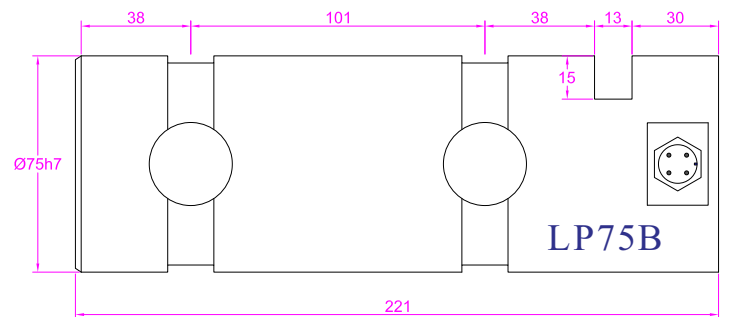
2~40t



2~45t



2~45t



■ Specifications may change without notice, contact us for detailed info.  
 具体要求，请联系我们。