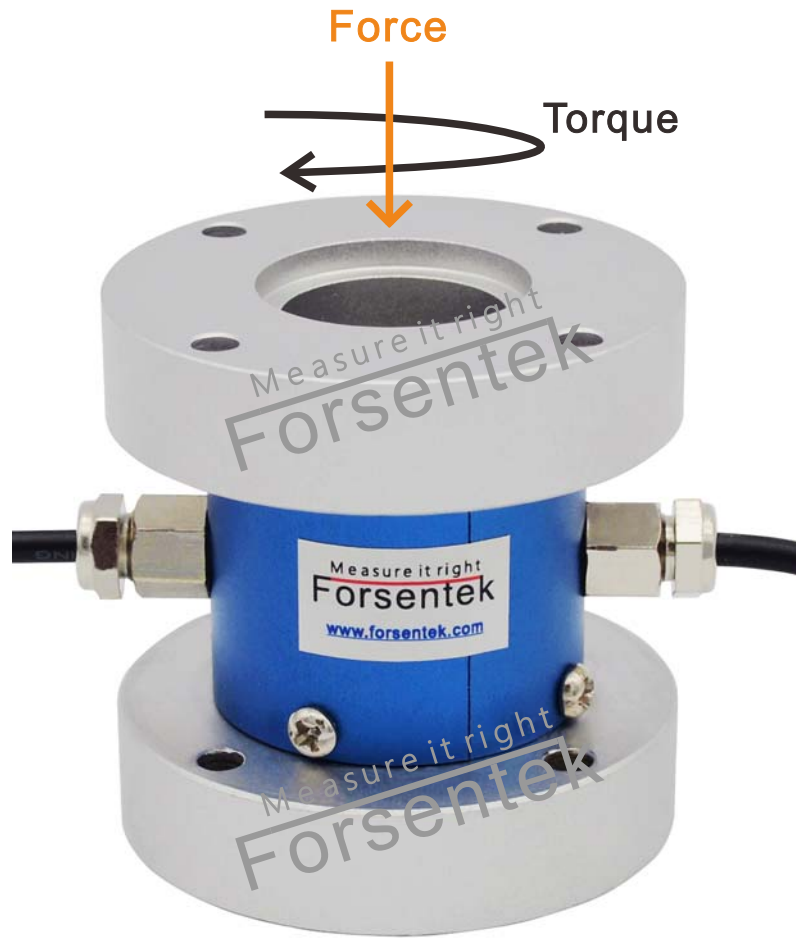
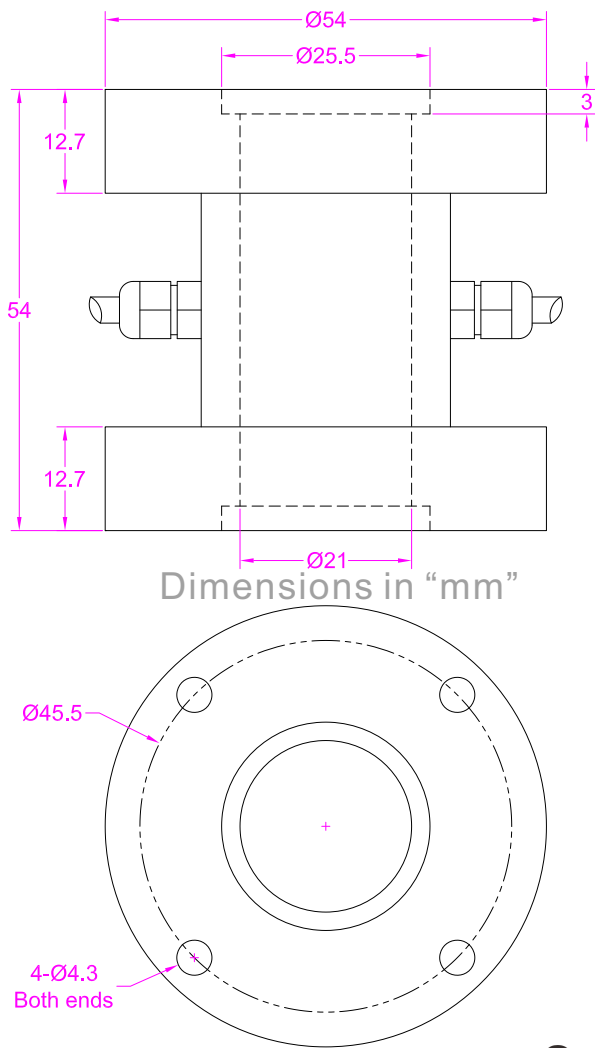


Customizable



--- Specifications ---

	Torque	Force
Capacity	20NM	3KN
Rated Output	1.5 mV/V	1.0 mV/V
Excitation	3~15V	
Zero Balance	±3% of R.O.	
Nonlinearity	±0.3% of R.O.	±0.3% of R.O.
Hysteresis	±0.3% of R.O.	±0.3% of R.O.
Nonrepeatability	±0.2% of R.O.	±0.2% of R.O.
Creep(5min)	±0.1% of R.O.	
Safe Overload	120% of F.S.	
Ultimate Overload	150% of F.S.	
Working Temperature	-10...+60°C	
Temp. Shift Zero	±0.03% of R.O./°C	
Temp. Shift Span	±0.01% of R.O./°C	
Input Resistance	700±100Ω	380±30Ω
Output Resistance	700±20Ω	350±5Ω
Insulation Resistance	>2000MΩ(50V)	
Material	Aluminum alloy	
Ingress Protection	IP50	
Cable	Ø3.3*3000mm 4-core shielded cable	