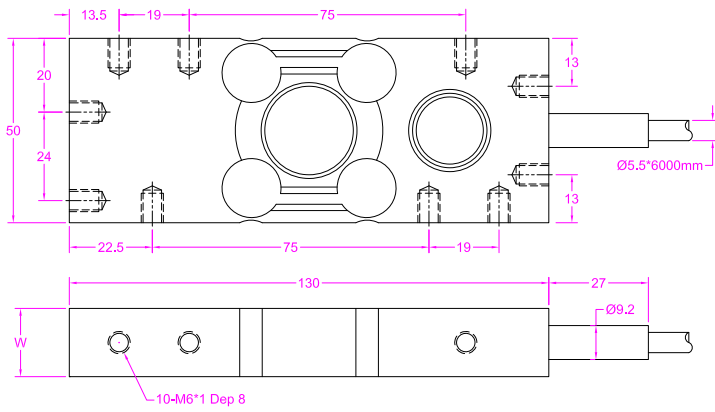
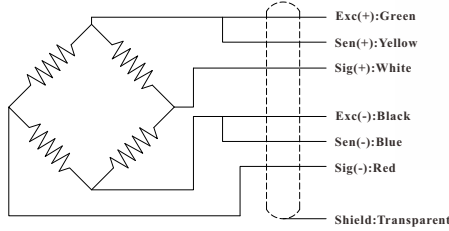




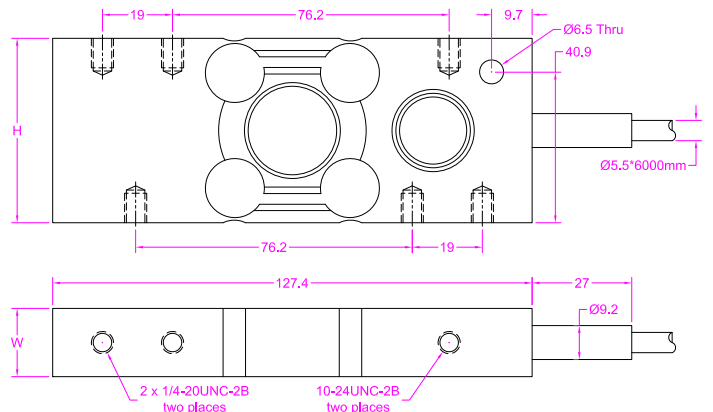
Ordering code
FHPS - 50lb
Model Capacity



Wiring Diagram



| Capacity | W |
|--------------|------|
| 6/12/15/30kg | 18.5 |
| 60kg | 23.5 |



| Capacity | H | W |
|----------|------|------|
| 25lb | 50 | 18.5 |
| 50lb | 49.7 | 18.5 |
| 100lb | 46.3 | 23.9 |

--- Specifications / 规格参数 ---

| Capacity/量程 | 6/12/15/30/60 kg | | |
|--|--|-------------------------------|------------------------|
| | 25/50/100 lb | | |
| Rated Output 额定输出 | 2.0±10% mV/V | Compensated Temp. 温度补偿范围 | -10...+40°C |
| Excitation 激励电压 | 3~15V | Operating Temp. 工作温度范围 | -35...+65°C |
| Zero Balance 零点输出 | ±1.5% of R.O. | Temp. Shift Zero 零点温度漂移 | ±0.015% of R.O./10°C |
| Nonlinearity 非线性 | ±0.017% of R.O. | Temp. Shift Span 灵敏度温度漂移 | ±0.015% of R.O./10°C |
| Hysteresis 滞后 | ±0.017% of R.O. | Input Resistance 输入阻抗 | 400±20Ω |
| Nonrepeatability 非重复性 | ±0.01% of R.O. | Output Resistance 输出阻抗 | 352±5Ω |
| Creep(30min) 蠕变(30min) | ±0.017% of R.O. | Insulation Resistance 绝缘阻抗 | >5000MΩ(50V) |
| Safe Overload 安全过载 | 150% of F.S. | Ingress Protection 防护等级 | Ip68 |
| Ultimate Overload 极限过载 | 250% of F.S. | Material of Element 弹性体材料 | Stainless steel 不锈钢 |
| Cable 导线 | Ø5.5*6000mm 6-core shielded cable Ø5.5*6000mm 6芯屏蔽线 | | |
| R.O.=Rated Output/额定输出 F.S.=Full Scale/满量程 | | | |

• Subject to change without notice / 如有更改,不另行通知