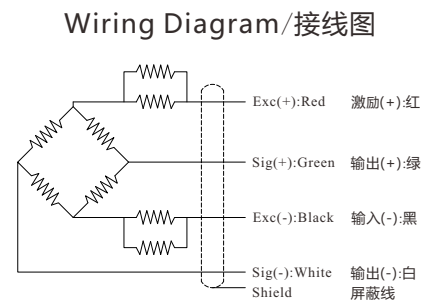
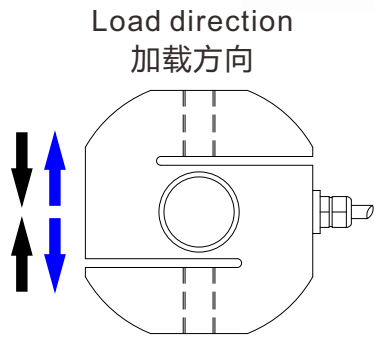


Capacity(ton)	W	H	M
0.5/1	32	25	M12*1.75
2/3			M20*1.5
4	36		
5/6/7.5	50	24	M24*2

Ordering code
FSRT - 0.5t
Model Capacity



--- Specifications / 规格参数 ---

Capacity/量程	0.5/1/2/3/4/5/6/7.5 t		
Rated Output 额定输出	2.0±0.004 mV/V	Compensated Temp. 温度补偿范围	-10...+40°C
Excitation 激励电压	3~15V	Operating Temp. 工作温度范围	-35...+65°C
Zero Balance 零点输出	±0.03mV/V	Temp. Shift Zero 零点温度漂移	±0.02% of R.O./10°C
Nonlinearity 非线性	±0.017% of R.O.	Temp. Shift Span 灵敏度温度漂移	±0.02% of R.O./10°C
Hysteresis 滞后	±0.017% of R.O.	Input Resistance 输入阻抗	350±5Ω
Nonrepeatability 非重复性	±0.01% of R.O.	Output Resistance 输出阻抗	350±3Ω
Creep(30min) 蠕变	±0.017% of R.O.	Insulation Resistance 绝缘阻抗	>5000MΩ(50V)
Safe Overload 安全过载	150% of F.S.	Ingress Protection 防护等级	IP68
Ultimate Overload 极限过载	300% of F.S.	Material of Element 弹性体材料	Stainless steel 不锈钢
Cable 导线	(Ø5*3000mm for 0.5t capacity) Ø5*6000mm 4-core shielded cable Ø5*6000mm 4芯屏蔽线		
R.O.=Rated Output/额定输出 F.S.=Full Scale/满量程			

• Subject to change without notice / 如有更改,不另行通知