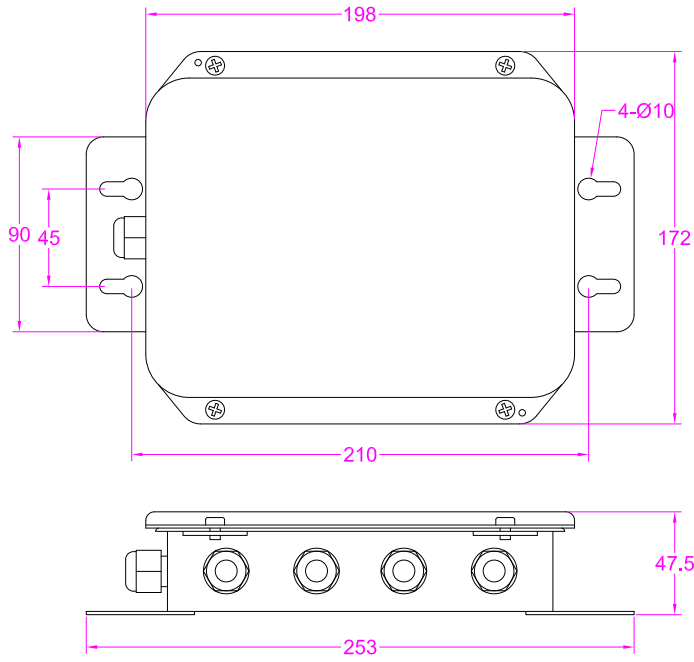
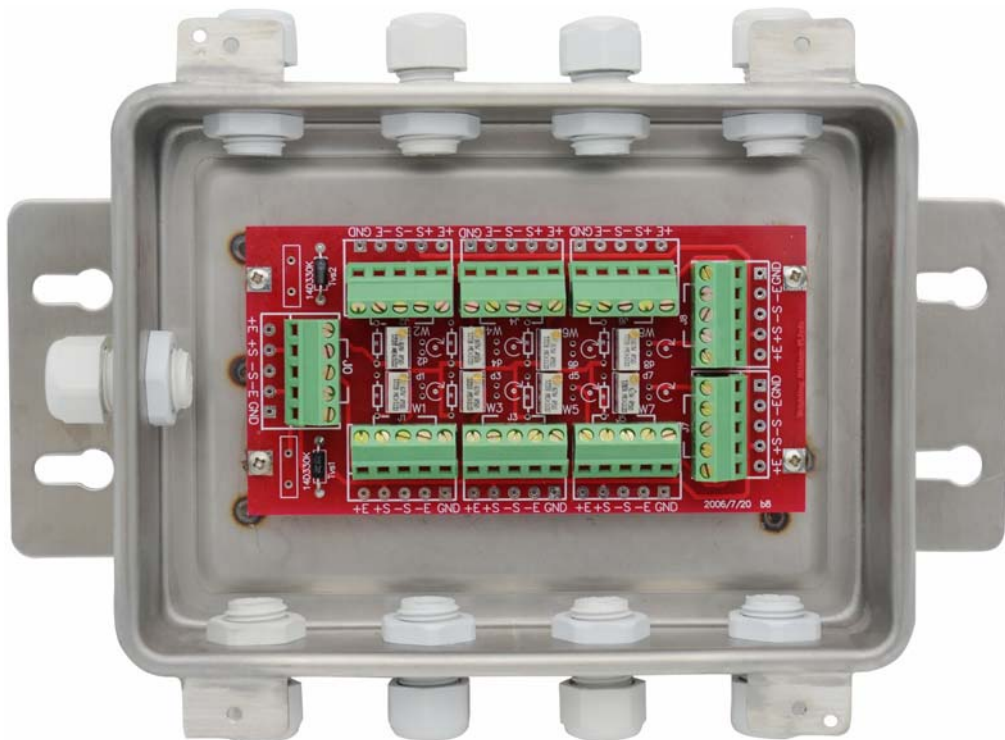


**8-input Load cell junction box**



- Stainless steel enclosure
- Applicable cable diameter Ø4~Ø8
- Net weight: 1.217kg
- IP65 protection
- Signal trimming for up to 8 load cells

**Internal view**



- Clip terminals J1~J8 are for load cell connection
- Potentiometers W1~W8 are for signal trimming
- Terminal indicator is for indicator connection
- +E ---- Excitation(+)
- E ---- Excitation(-)
- +S ---- Signal(+)
- S ---- Signal(-)
- GND ---- Shield