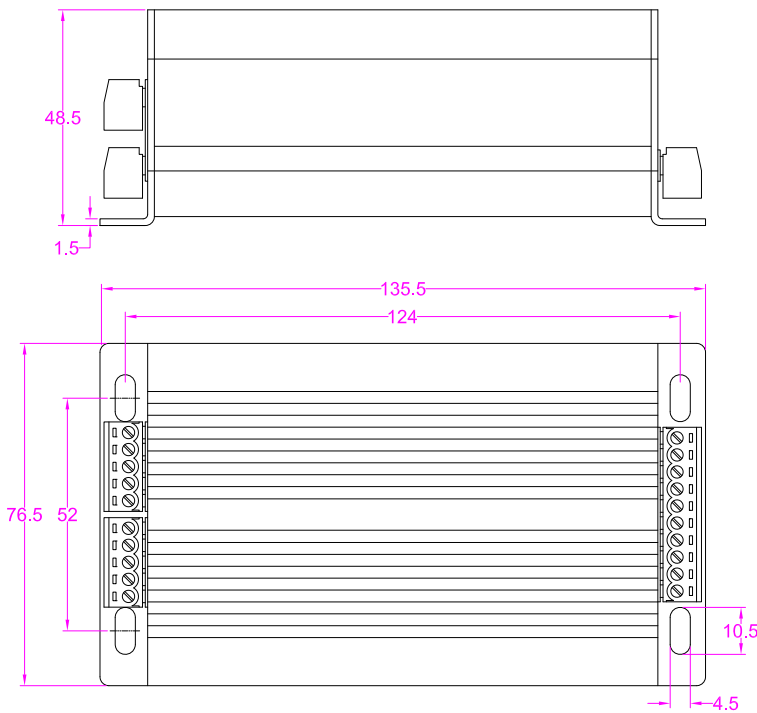


3-Channel load cell amplifier (3 inputs & 3 outputs)



Ordering Code			
For compression only (Or tension only)		For tension and compression (Or clockwise and CCW)	
24V Power supply	12V Power supply	24V Power supply	12V Power supply
LC3A(0-3.3V)-24V	LC3A(0-3.3V)-12V	LC3A(0-1.5-3V)-24V	LC3A(0-1.5-3V)-24V
LC3A(0-5V)-24V	LC3A(0-5V)-12V	LC3A(0-2.5-5V)-24V	LC3A(0-2.5-5V)-12V
LC3A(0-10V)-24V	LC3A(0-10V)-12V	LC3A(0-5-10V)-24V	LC3A(0-5-10V)-12V
LC3A(0-20mA)-24V	LC3A(0-20mA)-12V	LC3A(-5-5V)-24V	LC3A(-5-5V)-12V
LC3A(4-20mA)-24V	LC3A(4-20mA)-12V	LC3A(-10-10V)-24V	LC3A(-10-10V)-12V
/	/	LC3A(4-12-20mA)-24V	LC3A(4-12-20mA)-12V

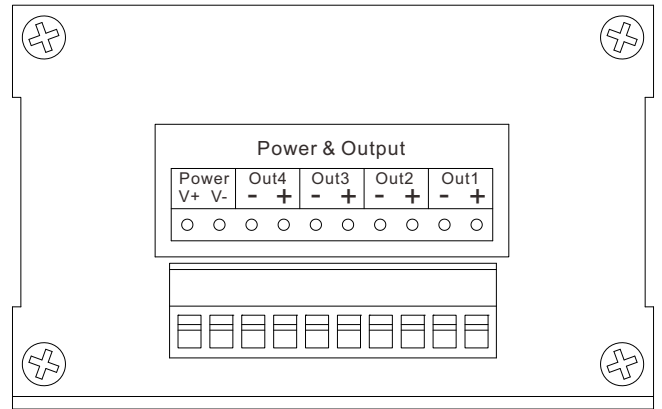
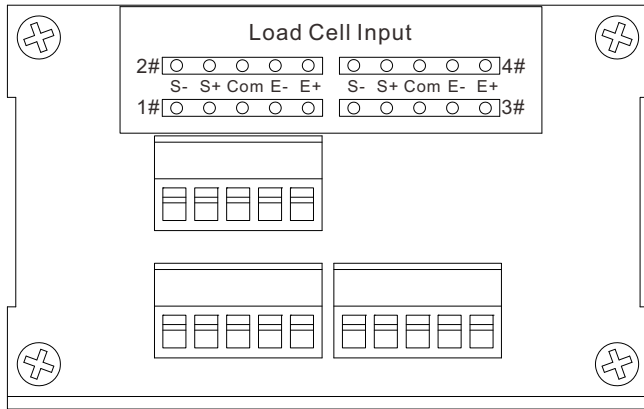
Consult us for other outputs

--- Specifications / 规格参数 ---

Function/功能	Turn mV signal into V or mA signal 将mV信号放大成V或mA信号
Accuracy/精度	0.15%
Power supply/供电电压	24V DC or 12V DC
Excitation for load cell/传感器激励电压	5V DC
Input signal range/输入信号范围	0.6~3.0mV/V
Output signal/输出信号	Refer to ordering code
Working Temp./工作温度	-10...+60°C
Material of enclosure/外壳材料	Aluminum alloy/铝合金
Ingress protection/防护等级	IP40

• Subject to change without notice / 如有更改,不另行通知

Wiring code of LC3A



1# terminal connects with 1# sensor			
2# terminal connects with 2# sensor			
3# terminal connects with 3# sensor			
E+	EXC+	E-	EXC-
S+	SIG+	S-	SIG-
Com		Shield	

Power			
V+	Power+	V-	Power-
Out1 @ Output of 1# sensor			
Out2 @ Output of 2# sensor			
Out3 @ Output of 3# sensor			
+	Output+	-	Output-

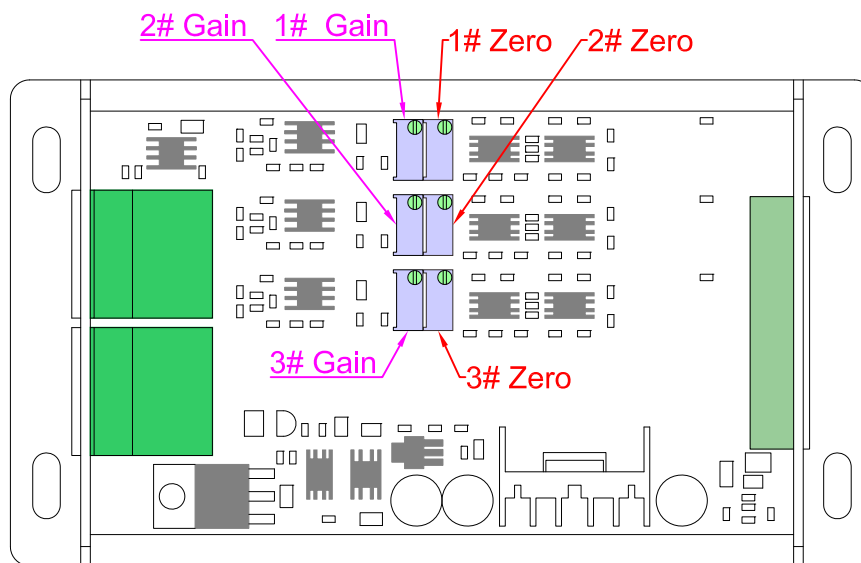
Calibration instructions of LC3A

Before operation, clients need to prepare:

- 1-Power supply for LC3A
- 2-4 x 2-core cables for power input and signal output
- 3-Multimeter to measure the output signal from LC3A
- 4-Reference load and necessary tools for calibration
- 5-Screw drivers to open the cover plate of LC3A and adjust the potentiometers during calibration

1-Wiring(Refer to P-2/3)

2-Open the top cover plate of LC3A,you'll see below view:



3-Calibration of 1# sensor

- 3.1-Measuring the output signal from Out1 of LC3A using a multimeter.
- 3.2-Applying 0 load to sensor connected with 1# terminal,adjust potentiometer “**1# Zero**” to get desired output.
- 3.3-Applying reference load to sensor connected with 1# terminal,adjust potentiometer “**1# Gain**” to get desired output.
- 3.4-Repeat step 3.2 and 3.3 for 2-3 times to get better result.

4-Calibration of 2# sensor

- 4.1-Measuring the output signal from Out2 of LC3A using a multimeter.
- 4.2-Applying 0 load to sensor connected with 2# terminal,adjust potentiometer “**2# Zero**” to get desired output.
- 4.3-Applying reference load to sensor connected with 2# terminal,adjust potentiometer “**2# Gain**” to get desired output.
- 4.4-Repeat step 4.2 and 4.3 for 2-3 times to get better result.

5-Calibration of 3# sensor

- 5.1-Measuring the output signal from Out3 of LC3A using a multimeter.
- 5.2-Applying 0 load to sensor connected with 3# terminal,adjust potentiometer “**3# Zero**” to get desired output.
- 5.3-Applying reference load to sensor connected with 3# terminal,adjust potentiometer “**3# Gain**” to get desired output.
- 5.4-Repeat step 5.2 and 5.3 for 2-3 times to get better result.

6-Install the top cover plate of LC3A